

REFRIGERATOR USER INSTRUCTIONS

THANK YOU for purchasing this high-quality product. If you should experience a problem not covered in TROUBLESHOOTING, please visit our website at www.kitchenaid.com for additional information. If you still need assistance, call us at 1-800-422-1230. In Canada, visit our website at www.kitchenaid.ca or call us at 1-800-807-6777.

You will need your model and serial number located on the inside wall of the refrigerator compartment.

Para obtener acceso a “Instrucciones para el usuario del refrigerador” en español, o para obtener información adicional acerca de su producto, visite: www.kitchenaid.com.

Tenga listo su número de modelo completo. Puede encontrar su número de modelo y de serie ubicada al lado derecho del interior del refrigerador.

Table of Contents / Table des matières

REFRIGERATOR SAFETY.....	1	SÉCURITÉ DU RÉFRIGÉRATEUR	18
INSTALLATION INSTRUCTIONS	2	INSTRUCTIONS D'INSTALLATION	19
REFRIGERATOR USE	8	UTILISATION DU RÉFRIGÉRATEUR.....	25
REFRIGERATOR CARE.....	11	ENTRETIEN DU RÉFRIGÉRATEUR	29
TROUBLESHOOTING.....	12	DÉPANNAGE.....	31
WATER FILTER CERTIFICATIONS	14	FEUILLES DE DONNÉES SUR LE PRODUIT	34
PRODUCT DATA SHEETS	15	GARANTIE.....	35
WARRANTY.....	16		

REFRIGERATOR SAFETY

Your safety and the safety of others are very important.

We have provided many important safety messages in this manual and on your appliance. Always read and obey all safety messages.



This is the safety alert symbol.

This symbol alerts you to potential hazards that can kill or hurt you and others.

All safety messages will follow the safety alert symbol and either the word “DANGER” or “WARNING.”

These words mean:

⚠ DANGER

You can be killed or seriously injured if you don't immediately follow instructions.

⚠ WARNING

You can be killed or seriously injured if you don't follow instructions.

All safety messages will tell you what the potential hazard is, tell you how to reduce the chance of injury, and tell you what can happen if the instructions are not followed.

IMPORTANT SAFETY INSTRUCTIONS

WARNING: To reduce the risk of fire, electric shock, or injury to persons when using the refrigerator, follow basic precautions, including the following:

- Plug into a grounded 3 prong outlet.
- Do not remove ground prong.
- Do not use an adapter.
- Do not use an extension cord.
- Disconnect power before servicing.
- Replace all parts and panels before operating.
- Remove doors from your old refrigerator.
- Use nonflammable cleaner.
- Keep flammable materials and vapors, such as gasoline, away from refrigerator.
- Use two or more people to move and install refrigerator.
- Disconnect power before installing ice maker (on ice maker kit ready models only).

SAVE THESE INSTRUCTIONS

Proper Disposal of Your Old Refrigerator

⚠ WARNING

Suffocation Hazard

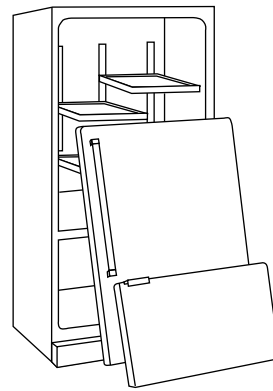
Remove doors from your old refrigerator.

Failure to do so can result in death or brain damage.

IMPORTANT: Child entrapment and suffocation are not problems of the past. Junked or abandoned refrigerators are still dangerous – even if they will sit for “just a few days.” If you are getting rid of your old refrigerator, please follow these instructions to help prevent accidents.

Before You Throw Away Your Old Refrigerator or Freezer:

- Take off the doors.
- Leave the shelves in place so that children may not easily climb inside.



INSTALLATION INSTRUCTIONS

Unpack the Refrigerator

⚠ WARNING

Excessive Weight Hazard

Use two or more people to move and install refrigerator.

Failure to do so can result in back or other injury.

When Moving Your Refrigerator:

Your refrigerator is heavy. When moving the refrigerator for cleaning or service, be sure to protect the floor. Always pull the refrigerator straight out when moving it. Do not wiggle or “walk” the refrigerator when trying to move it, as floor damage could occur.

Remove the Packaging

- Remove tape and glue residue from surfaces before turning on the refrigerator. Rub a small amount of liquid dish soap over the adhesive with your fingers. Wipe with warm water and dry.
- Do not use sharp instruments, rubbing alcohol, flammable fluids, or abrasive cleaners to remove tape or glue. These products can damage the surface of your refrigerator. For more information, see “Refrigerator Safety.”
- Dispose of/recycle all packaging materials.

Clean Before Using

After you remove all of the packaging materials, clean the inside of your refrigerator before using it. See the cleaning instructions in “Refrigerator Care.”

Important information to know about glass shelves and covers:

Do not clean glass shelves or covers with warm water when they are cold. Shelves and covers may break if exposed to sudden temperature changes or impact, such as bumping. For your protection, tempered glass is designed to shatter into many small, pebble-size pieces. This is normal. Glass shelves and covers are heavy. Use special care when removing them to avoid impact from dropping.

Location Requirements

⚠ WARNING



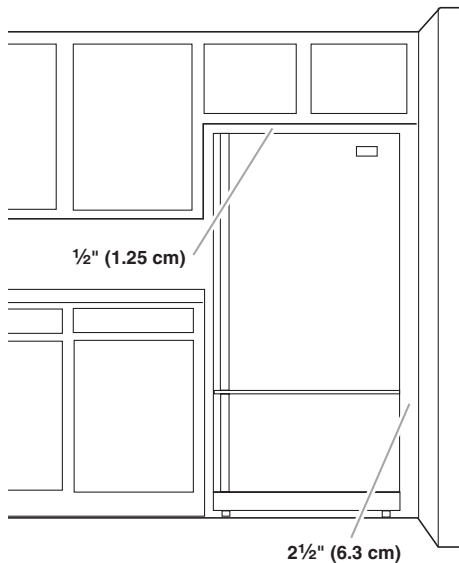
Explosion Hazard

Keep flammable materials and vapors, such as gasoline, away from refrigerator.

Failure to do so can result in death, explosion, or fire.

To ensure proper ventilation for your refrigerator, allow for a ½" (1.25 cm) space at the top and behind the refrigerator. If your refrigerator has an ice maker, allow extra space at the back for the water line connections. When installing your refrigerator next to a fixed wall, leave 2½" (6.3 cm) minimum on the hinge side (some models require more) to allow for the door to swing open.

NOTE: It is recommended that you do not install the refrigerator near an oven, radiator, or other heat source. Do not install the refrigerator in a location where the temperature will fall below 55°F (13°C).



Electrical Requirements

⚠ WARNING



Electrical Shock Hazard

Plug into a grounded 3 prong outlet.

Do not remove ground prong.

Do not use an adapter.

Do not use an extension cord.

Failure to follow these instructions can result in death, fire, or electrical shock.

Before you move your refrigerator into its final location, it is important to make sure you have the proper electrical connection.

Recommended Grounding Method

A 115 Volt, 60 Hz., AC only, 15- or 20-amp fused, grounded electrical supply is required. It is recommended that a separate circuit serving only your refrigerator be provided. Use an outlet that cannot be turned off by a switch. Do not use an extension cord.

NOTE: Before performing any type of installation, cleaning, or removing a light bulb, turn the control (Thermostat, Refrigerator or Freezer Control depending on the model) to OFF and then disconnect the refrigerator from the electrical source. When you are finished, reconnect the refrigerator to the electrical source and reset the control (Thermostat, Refrigerator or Freezer Control depending on the model) to the desired setting. See "Using the Controls."

Water Supply Requirements

Gather the required tools and parts before starting installation. Read and follow the instructions provided with any tools listed here.

TOOLS NEEDED:

- | | |
|--|------------------|
| ■ Flat-blade screwdriver | ■ ¼" Nut driver |
| ■ 7/16" and ½" Open-end or two adjustable wrenches | ■ ¼" Drill bit |
| | ■ Cordless drill |

IMPORTANT:

- All installations must meet local plumbing code requirements.
- Do not use a piercing-type or 3/16" (4.76 mm) saddle valve which reduces water flow and clogs more easily.
- Use copper tubing and check for leaks. Install copper tubing only in areas where the household temperatures will remain above freezing.

Water Pressure

A cold water supply with water pressure of between 35 and 120 psi (241 and 827 kPa) is required to operate the water dispenser and ice maker. If you have questions about your water pressure, call a licensed, qualified plumber.

Reverse Osmosis Water Supply

IMPORTANT: The pressure of the water supply coming out of a reverse osmosis system going to the water inlet valve of the refrigerator needs to be between 35 and 120 psi (241 and 827 kPa).

If a reverse osmosis water filtration system is connected to your cold water supply, the water pressure to the reverse osmosis system needs to be a minimum of 40 to 60 psi (276 to 414 kPa).

If the water pressure to the reverse osmosis system is less than 40 to 60 psi (276 to 414 kPa):

- Check to see whether the sediment filter in the reverse osmosis system is blocked. Replace the filter if necessary.
- Allow the storage tank on the reverse osmosis system to refill after heavy usage.
- If your refrigerator has a water filter, it may further reduce the water pressure when used in conjunction with a reverse osmosis system. Remove the water filter. See "Water Filtration System."

If you have questions about your water pressure, call a licensed, qualified plumber.

Connect the Water Supply

Read all directions before you begin.

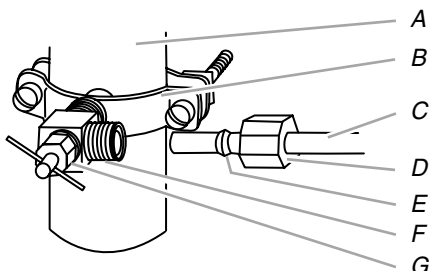
IMPORTANT: If you turn the refrigerator on before the water line is connected, turn the ice maker OFF.

Connect to Water Line

1. Unplug refrigerator or disconnect power.
2. Turn OFF main water supply. Turn ON nearest faucet long enough to clear line of water.
3. Find a ½" to 1¼" (12.7 mm to 31.8 mm) vertical cold water pipe near the refrigerator.

IMPORTANT:

- Make sure it is a cold water pipe.
 - Horizontal pipe will work, but the following procedure must be followed: Drill on the top side of the pipe, not the bottom. This will help keep water away from the drill. This also keeps normal sediment from collecting in the valve.
4. Determine the length of copper tubing you need. Measure from the connection on the rear of the refrigerator to the water pipe. Add 7 ft (2.1 m) to allow for cleaning. Use ¼" (6.35 mm) O.D. (outside diameter) copper tubing. Be sure both ends of copper tubing are cut square.
 5. Using a cordless drill, drill a ¼" hole in the cold water pipe you have selected.



A. Cold water pipe
B. Pipe clamp
C. Copper tubing
D. Compression nut
E. Compression sleeve
F. Shutoff valve
G. Packing nut

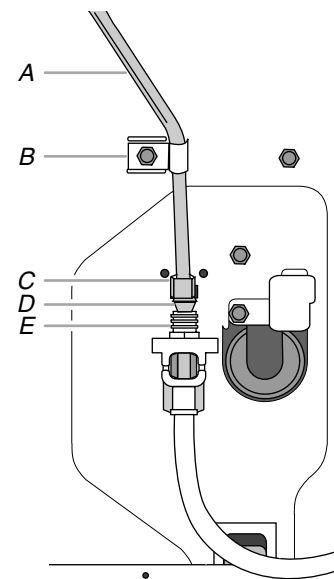
6. Fasten the shutoff valve to the cold water pipe with the pipe clamp. Be sure the outlet end is solidly in the ¼" drilled hole in the water pipe and that the washer is under the pipe clamp. Tighten the packing nut. Tighten the pipe clamp screws slowly and evenly so the washer makes a watertight seal. Do not overtighten or you may crush the copper tubing.
7. Slip the compression sleeve and compression nut on the copper tubing as shown. Insert the end of the tubing into the outlet end squarely as far as it will go. Screw compression nut onto outlet end with adjustable wrench. Do not overtighten.
8. Place the free end of the tubing in a container or sink, and turn ON the main water supply. Flush the tubing until water is clear. Turn OFF the shutoff valve on the water pipe.

Connect to Refrigerator

Depending on your model, the water line may come down from the top or up from the bottom. Follow the connection instructions for your model.

Style 1

1. Remove plastic cap from water valve inlet port. Attach the copper tube to the valve inlet using a compression nut and sleeve as shown. Tighten the compression nut. Do not overtighten. Confirm copper tubing is secure by pulling on copper tubing.
2. Create a service loop with the copper tubing. Avoid kinks when coiling the copper tubing. Secure copper tubing to refrigerator cabinet with a "P" clamp.

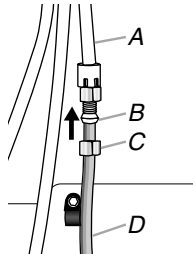


A. Copper tubing
B. "P" clamp
C. Compression nut
D. Compression sleeve
E. Water valve inlet port

3. Turn on water supply to refrigerator and check for leaks. Correct any leaks.

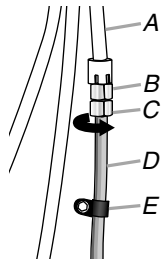
Style 2

1. Create a service loop (minimum diameter of 2 ft [61 cm]) with the copper tubing. Avoid kinks when coiling the copper tubing.
2. Remove the plastic cap from water valve inlet port. Place a compression nut and sleeve on the copper tubing.
3. Insert the end of the copper tubing into the water valve inlet port. Shape tubing slightly so that the tubing feeds straight into the port to avoid kinks.
4. Slide the compression nut over the sleeve and screw into the water valve inlet port.



A. Plastic water tubing
B. Sleeve
C. Compression nut
D. Copper tubing

5. Using an adjustable wrench, hold the nut on the plastic water line to keep it from moving. Then, with a second wrench turn the compression nut on the copper tubing counterclockwise to completely tighten. Do not overtighten.



A. Plastic water line
B. Water valve inlet port
C. Compression nut
D. Copper tubing
E. "P" clamp

6. Check connection by pulling on copper tubing. Attach copper tubing to refrigerator cabinet with a "P" clamp. Turn on water supply to refrigerator and check for leaks. Correct any leaks.

Complete the Installation

⚠ WARNING



Electrical Shock Hazard

Plug into a grounded 3 prong outlet.

Do not remove ground prong.

Do not use an adapter.

Do not use an extension cord.

Failure to follow these instructions can result in death, fire, or electrical shock.

1. Plug into a grounded 3 prong outlet.

NOTE: Allow 24 hours to produce the first batch of ice. Discard the first three batches of ice produced. Allow 3 days to completely fill the ice container.

Refrigerator Door(s) and Drawer

Graphics are included later in this section.

Remove and Replace Handles

1. Using a $\frac{3}{32}$ " Allen wrench, loosen the two set screws located on the side of each handle. See Graphics 1 and 2.
2. Pull the handle straight out from the door. Make sure you keep the screws for reattaching the handles.
3. To replace the handles, reverse the directions.

Remove Doors and Hinges

⚠ WARNING



Electrical Shock Hazard

Disconnect power before removing doors.

Failure to do so can result in death or electrical shock.

IMPORTANT:

- Remove food and any adjustable door or utility bins from doors.
- All graphics referenced in the following instructions are included later in this section after "Final Steps."

TOOLS NEEDED: $\frac{5}{16}$ ", $\frac{3}{8}$ ", $\frac{1}{4}$ " hex-head socket wrench, #2 Phillips screwdriver, and a flat-blade screwdriver.

1. Unplug refrigerator or disconnect power.

2. Keep the refrigerator doors closed until you are ready to lift them free from the cabinet.
NOTE: Provide additional support for the refrigerator door while the hinges are being removed. Do not depend on the door gasket magnets to hold the door in place while you are working.
3. Starting with the right-hand side door, remove the parts for the top hinge as shown in Top Hinge graphic. Lift the refrigerator door from the bottom hinge pin.
NOTE: On some models, remove the shim from the bottom hinge pin and keep it for later use. See Bottom Hinge graphic.
4. Before removing the left-hand side door, disconnect the wiring plug located on top of the top hinge by wedging a flat-blade screwdriver or your fingernail between the two sections. See Wiring Plug graphic.
NOTE: The green, ground wire remains attached to the hinge.
5. Remove the parts for the top hinge as shown in Top Hinge graphic. Lift the left-hand side door from the bottom hinge pin.
NOTE: On some models, remove the shim from the bottom hinge pin and keep it for later use. See Bottom Hinge graphic.

Replace Doors and Hinges

1. Assemble the parts for the top hinge as shown in Top Hinge graphic. Do not tighten the screws completely.
2. Replace the parts for the bottom hinge as shown in Bottom Hinge graphic. Tighten screws. Replace the refrigerator door.
NOTE: Provide additional support for the refrigerator door while the hinges are being moved. Do not depend on the door gasket magnets to hold the door in place while you are working.
3. Align the door so that the bottom of the refrigerator door aligns evenly with the top of the freezer drawer. Tighten all screws.
4. Reconnect the wiring plug on top of the left-hand side refrigerator door.
5. Replace the top hinge covers.

Remove and Replace Freezer Drawer Front

IMPORTANT: Two people may be required to remove and replace the freezer drawer front. Graphics are included later in this section.

Remove Drawer Front

1. Open the freezer drawer to full extension.
2. Loosen the four screws attaching the drawer glides to the drawer front. See Drawer Front Removal graphic.
NOTE: Loosen screws three to four turns. Keep the screws in the drawer front.
3. Lift drawer front upward and off the screws. See Drawer Front Removal graphic.

Replace Drawer Front

1. Slide the drawer glides out of the freezer compartment. Insert the screws in the top of the drawer front into the slots in the drawer brackets. See Drawer Front Replacement graphic.
2. Pull the drawer brackets toward you to position the two screws in the bottom of the drawer front into the brackets. See Drawer Front Replacement graphic.
3. Completely tighten the four screws.

Final Steps

⚠ WARNING



Electrical Shock Hazard

Plug into a grounded 3 prong outlet.

Do not remove ground prong.

Do not use an adapter.

Do not use an extension cord.

Failure to follow these instructions can result in death, fire, or electrical shock.

1. Plug in refrigerator to a grounded 3 prong outlet.
2. Return all removable door parts to doors and food to refrigerator.



⚠ WARNING

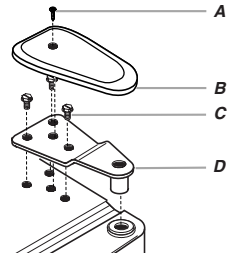
Electrical Shock Hazard

Disconnect power before removing doors.

Failure to do so can result in death or electrical shock.

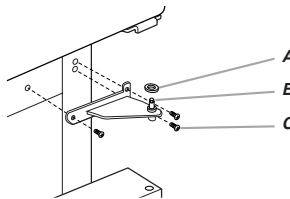
Door Removal & Replacement

Top Hinges



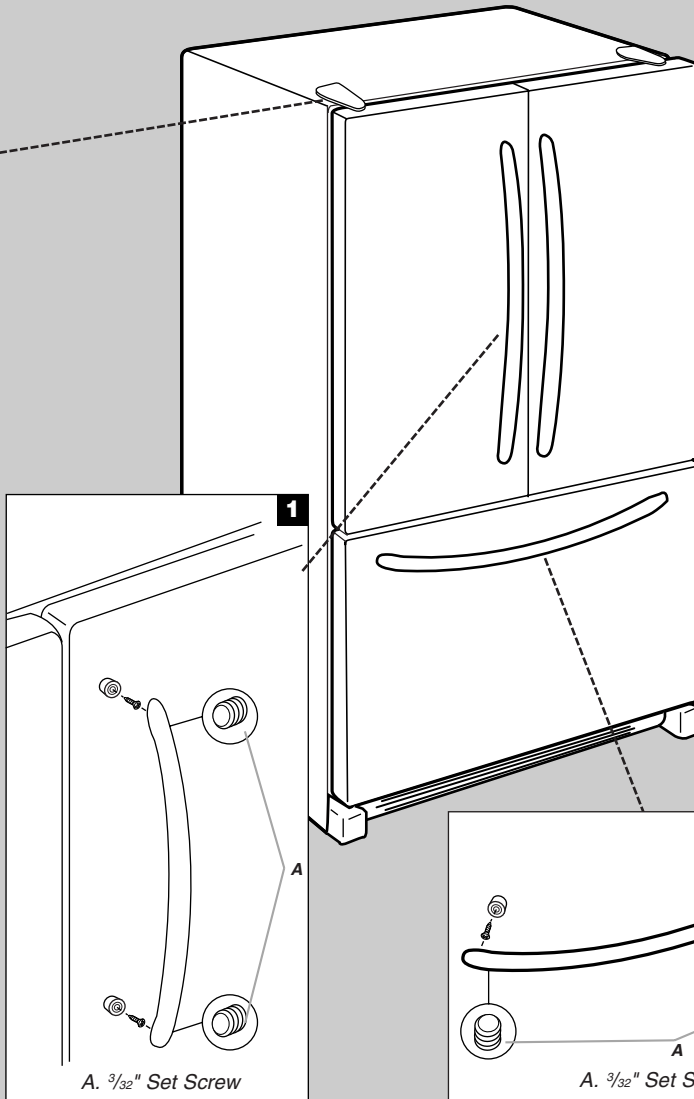
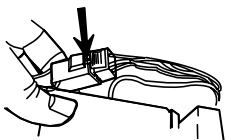
- A. Hinge Cover Screw
- B. Top Hinge Cover
- C. $\frac{3}{16}$ " Hex-Head Hinge Screws
- D. Top Hinge

Bottom Hinges



- A. Shim (on some models)
- B. Bottom Hinge
- C. Hinge Screws

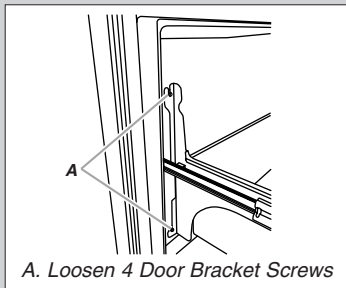
Wiring Plug



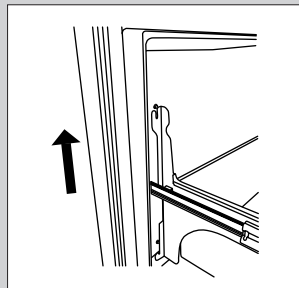
A. $\frac{3}{32}$ " Set Screw

A. $\frac{3}{32}$ " Set Screw

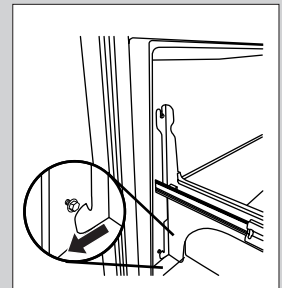
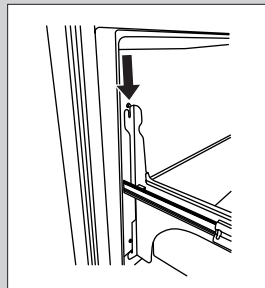
Drawer Front Removal



A. Loosen 4 Door Bracket Screws



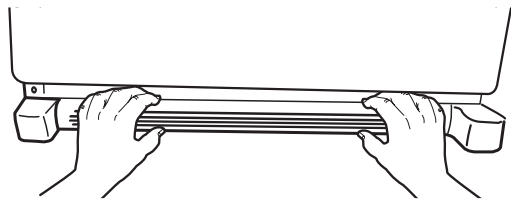
Drawer Front Replacement



Adjust the Doors

Depending on your model, your refrigerator may have four adjustable rollers (**Style 1**) or a leveling screw (**Style 2**) located at the base of the refrigerator. If your refrigerator seems unsteady or you want the door to close more easily, use the instructions below.

1. Remove the base grille. Grasp the grille firmly and pull it toward you.



2. Raise or lower the cabinet.

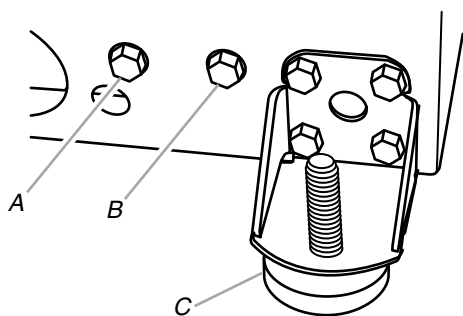
Style 1 - Front and rear leveling

Using a $\frac{3}{8}$ " hex driver, turn the roller adjustment screw(s) on each side to raise or lower that side of the refrigerator.

NOTE: Having someone push against the top of the refrigerator takes some weight off the adjustment screws and rollers. This makes it easier to turn the screws. It may take several turns of the roller adjustment screw to adjust the tilt of the refrigerator.

- To raise, turn the roller adjustment screw to the right.
- To lower, turn the roller adjustment screw to the left.

Turn the brake foot clockwise until it is firmly against the floor to keep the refrigerator from rolling forward when the freezer drawer is pulled open.



A. Rear roller adjustment screw
B. Front roller adjustment screw
C. Brake foot

NOTE: Your refrigerator may have a rear roller adjustment screw on each side. To raise or lower the rear of the refrigerator, use a $\frac{3}{8}$ " hex driver to turn the screws.

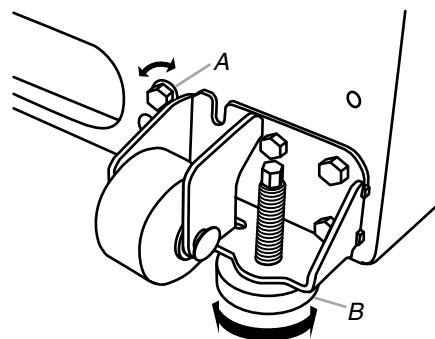
Style 2 - Leveling screw

Using a $\frac{1}{4}$ " hex driver, turn the leveling screw on each side to raise or lower that side of the refrigerator.

NOTE: Having someone push against the top of the refrigerator takes some weight off the leveling screws. This makes it easier to turn the screws. It may take several turns of the leveling screw to adjust the tilt of the refrigerator.

- To raise, turn the leveling screw clockwise.

- To lower, turn the leveling screw counterclockwise.



A. Rear roller adjustment screw
B. Leveling screw

NOTE: Your refrigerator may have a rear roller adjustment screw on each side. To raise or lower the rear of the refrigerator, use a $\frac{3}{8}$ " hex driver to turn the screws.

3. Open the door again to make sure that it closes as easily as you like. If not, tilt the refrigerator slightly more to the rear by turning both leveling screws clockwise. It may take several more turns, and you should turn both screws the same amount.
4. Replace the base grille.

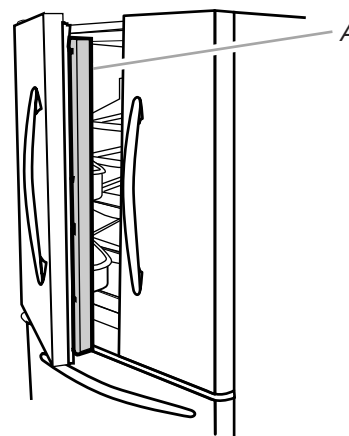
REFRIGERATOR USE

Opening and Closing Doors

There are two refrigerator compartment doors. The doors can be opened and closed either separately or together.

There is a vertically-hinged seal on the left refrigerator door.

- When the left side door is opened, the hinged seal automatically folds inward so that it is out of the way.
- When both doors are closed, the hinged seal automatically forms a seal between the two doors.



A. Hinged seal

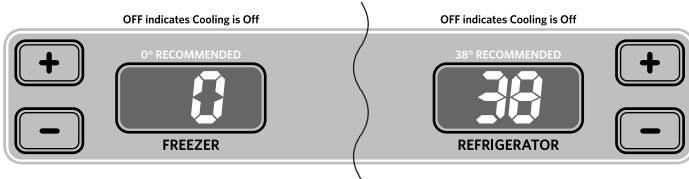
Using the Controls

The control center is located at the top front of the refrigerator compartment.

Temperature Controls

For your convenience, your temperature controls are preset at the factory. When you first install your refrigerator, make sure the controls are still set to the recommended set points as shown.

Recommended Settings



IMPORTANT:

- The recommended settings should be correct for normal household refrigerator use. The controls are set correctly when milk or juice is as cold as you like and when ice cream is firm.
- When the power is on, the temperature display shows the set point temperature of the compartment.
- Wait 24 hours for your refrigerator to cool completely before adding food. If you add food before the refrigerator has cooled completely, your food may spoil.

NOTE: Adjusting the refrigerator and freezer temperature controls to a colder than recommended setting will not cool the compartments any faster.

- If the temperature is too warm or too cold in the refrigerator or freezer, first check the air vents to be sure they are not blocked before adjusting the controls.

To Turn Your Refrigerator Off/On:

- Press the freezer (+) touch pad repeatedly until “OFF” appears in the freezer display. Allow a few seconds for the refrigerator to shut off. Neither compartment will cool.
- Press either the refrigerator or freezer (-) touch pad to turn on the refrigerator.

Adjusting Controls

The REFRIGERATOR control adjusts the refrigerator compartment temperature. The FREEZER control adjusts the freezer compartment temperature.

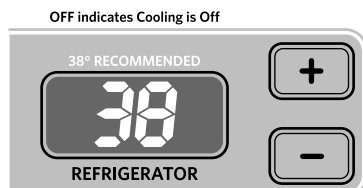
If you need to adjust the temperature in either the refrigerator or freezer compartment, use the settings listed in the chart as a guide.

To Adjust Set Point Temperatures:

The first touch of the (+) or (-) touch pad displays the current temperature set point.

- Press the (+) or (-) touch pads until the desired temperature set point is displayed.

NOTE: Except when first turning on the refrigerator, do not adjust either temperature control more than one setting at a time. Wait 24 hours between adjustments for the temperature to stabilize.



CONDITION/REASON:	ADJUSTMENT:
REFRIGERATOR too warm	REFRIGERATOR Control 1° lower
FREEZER too warm/too little ice	Adjust FREEZER Control 1° lower
REFRIGERATOR too cold	Adjust REFRIGERATOR Control 1° higher
FREEZER too cold	Adjust FREEZER Control 1° higher

Additional Control Center Features

Max Ice

The Max Ice feature assists with temporary periods of heavy ice use by increasing ice production.

- Press the Max Ice feature touch pad to set the freezer to the lowest temperature setting. Press the Max Ice feature touch pad again to return to the normal freezer set point.

NOTE: The Max Ice feature will automatically shut off in approximately 24 hours.



Humidity Control

The Humidity Control feature turns on a heater to help reduce moisture on the door hinge seal. Use in humid environments or when you notice moisture on the door hinge seal. The refrigerator uses more energy when Humidity Control is on.

- Press Humidity Control when the environment is warm and more humid, or if you notice moisture on the door hinge seal. The indicator light will be lit when humidity control is ON.
- Press Humidity Control to save energy when the environment is less humid.



Temp Alarm

The Temp Alarm feature provides temperature information in the event of a power outage.

Power outage: During a power outage, if the temperatures in the refrigerator and freezer compartments exceed normal operating temperatures, the highest temperature reached will be displayed.

- Press the Temp Alarm touch pad until the indicator light is lit, to turn on this feature. Press and hold Temp Alarm for 3 seconds until the indicator light goes off to turn off this feature.

Temperature alarm: An alarm will sound repeatedly if the freezer or refrigerator compartment temperatures exceed normal operating temperatures for an hour or more.

The temperature displays will alternately show the current temperatures and the highest temperatures the compartments reached.

- Press the Temp Alarm touch pad once to stop the audible alarm and alternating temperature displays. The Temp Alarm light will continue to flash until the refrigerator returns to the set temperature.



Door Alarm

The Door Alarm feature sounds a chime every few seconds when the refrigerator door has been left open for 5 continuous minutes. The chime will sound until the door is closed or Door Alarm is turned off.

- Press the Door Alarm touch pad to turn this feature on or off. The indicator light will be lit when the Door Alarm feature is on.



Max Cool

The Max Cool feature assists with periods of high refrigerator use, full grocery loads, or temporarily warm room temperatures.

- Press Max Cool to set the freezer and refrigerator to the lowest temperature settings. Press Max Cool again to return to the normal refrigerator set point.

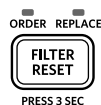
NOTE: The Max Cool feature will automatically shut off in approximately 12 hours.



Filter Reset

The Filter Reset control allows you to restart the water filter status tracking feature each time you replace your water filter. See "Water Filtration System."

- Press and hold the Filter Reset touch pad for 3 seconds, until the Order or Replace light turns off.



User Preferences

The control center allows you to set user preferences, if desired.

Temperature Display (F_C)

This preference allows you to change the temperature display.

F - Temperature in degrees Fahrenheit

C - Temperature in degrees Celsius

Alarm (AL)

This preference allows you to turn off the sound of all alarms.

ON - You will hear the alarm sound.

OFF - You will not hear the alarm sound.

Sabbath Mode (SAB)

IMPORTANT: This preference does not disable interior lights.

ON - All control panel lights will be disabled.

OFF - All control panel lights will be enabled.

NOTE: Press any touch pad on the control panel to restore the control panel lights.

To Access the User Preferences Menu:

1. Press and hold the Door Alarm touch pad for 3 seconds. The preference name will appear in the Freezer display and the preference status (F or C) or (ON or OFF) will appear in the Refrigerator display.
2. Use the Freezer (+) or (-) touch pads to scroll through the preference names. When the desired preference name is displayed, press the Refrigerator (+) or (-) touch pads to change the preference status.
3. Set your preferences by pressing and holding the Door Alarm touch pad for 3 seconds, or by shutting the refrigerator compartment door.

Crisper Humidity Control

You can control the amount of humidity in the moisture-sealed crisper. Depending on your model, adjust the control to any setting between FRUIT and VEGETABLES or LOW and HIGH.

FRUIT / LOW (open) for best storage of fruits and vegetables with skins.

VEGETABLES / HIGH (closed) for best storage of fresh, leafy vegetables.

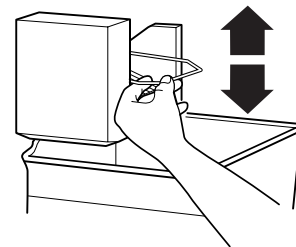
Ice Maker (on some models)

Turning the Ice Maker On/Off

To turn the ice maker ON, simply lower the wire shutoff arm.

To manually turn the ice maker OFF, lift the wire shutoff arm to the OFF (arm up) position and listen for the click.

NOTE: Your ice maker has an automatic shutoff. As ice is made, the ice cubes will fill the ice storage bin and the ice cubes will raise the wire shutoff arm to the OFF (arm up) position. Do not force the wire shutoff arm up or down.



Ice Production Rate

- The ice maker should produce a complete batch of ice approximately every 3 hours.
- To increase ice production, lower the freezer and refrigerator temperature. See "Using the Controls." Wait 24 hours between adjustments.

Remember

- Allow 24 hours to produce the first batch of ice. Discard the first three batches of ice produced.
- The quality of your ice will be only as good as the quality of the water supplied to your ice maker. Avoid connecting the ice maker to a softened water supply. Water softener chemicals (such as salt) can damage parts of the ice maker and lead to poor quality ice. If a softened water supply cannot be avoided, make sure the water softener is operating properly and is well maintained.
- Do not store anything on top of the ice maker or in the ice storage bin.

Water Dispenser (on some models)

IMPORTANT:

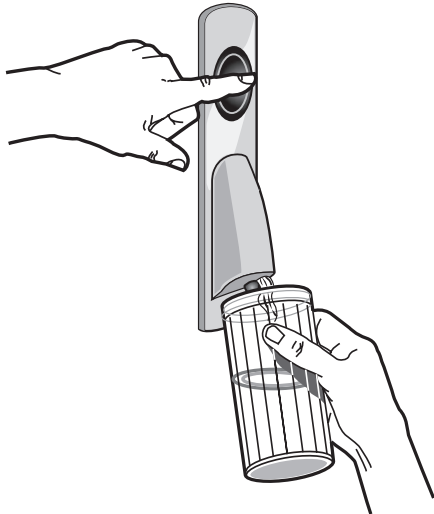
- After connecting the refrigerator to a water source, flush the water system. Press the button on the dispenser for 5 seconds, then release it for 5 seconds. Repeat until water begins to flow. Once water begins to flow, continue depressing and releasing the dispenser button (5 seconds on, 5 seconds off) for an additional 2 minutes. This will flush air from the filter and water dispensing system. Additional flushing may be required in some households. As air is cleared from the system, water may spurt out of the dispenser.

NOTE: After 5 minutes of continuous dispensing, the dispenser will stop dispensing water to avoid flooding. To continue dispensing, press the dispenser button again.

- Allow 24 hours for the refrigerator to cool down and chill water. Dispense enough water every week to maintain a fresh supply.

Dispensing Water

1. Hold a container under the dispenser while pressing the button.
2. Release the button to stop dispensing.



Water Filtration System

The water filter is located in the upper right-hand corner of the refrigerator compartment.

Do not use with water that is microbiologically unsafe or of unknown quality without adequate disinfection before or after the system. Systems certified for cyst reduction may be used on disinfected waters that may contain filterable cysts.

Water Filter Status Light

The water filter status light will help you know when to change the water filter. When the Order light is on, it is almost time to change the water filter. When the Replace light is on, a new water filter should be installed.

After replacing the water filter, press and hold FILTER RESET for 3 seconds until the Order or Replace light turns off. See "Using the Controls."

Replacing the Water Filter

To purchase a replacement water filter, model 67003523 Part Number 4396395, contact your dealer or call **1-800-442-9991** U.S.A. or **1-800-807-6777** Canada.

IMPORTANT: Air trapped in the water system may cause water and filter to eject. Always dispense water for at least 2 minutes before removing the filter or blue bypass cap.

1. Turn filter counterclockwise to remove.
2. Remove sealing label from replacement filter and insert the filter end into the filter head.
3. Turn the filter clockwise until it stops. Snap the filter cover closed.

NOTE: The dispenser feature may be used without a water filter installed. Your water will not be filtered. If this option is chosen, replace the filter with the blue bypass cap.

REFRIGERATOR CARE

Cleaning

⚠ WARNING



Explosion Hazard

Use nonflammable cleaner.

Failure to do so can result in death, explosion, or fire.

Both the refrigerator and freezer sections defrost automatically. However, clean both sections about once a month to avoid buildup of odors. Wipe up spills immediately.

IMPORTANT: Because air circulates between both sections, any odors formed in one section will transfer to the other. You must thoroughly clean both sections to eliminate odors. To avoid odor transfer and drying out of food, wrap or cover foods tightly.

To Clean Your Refrigerator:

NOTE: Do not use abrasive or harsh cleaners such as window sprays, scouring cleansers, flammable fluids, cleaning waxes, concentrated detergents, bleaches or cleansers containing petroleum products on plastic parts, interior and door liners or gaskets. Do not use paper towels, scouring pads, or other harsh cleaning tools.

1. Unplug refrigerator or disconnect power.
2. Hand wash, rinse, and dry removable parts and interior surfaces thoroughly. Use a clean sponge or soft cloth and a mild detergent in warm water.
3. Wash stainless steel and painted metal exteriors with a clean sponge or soft cloth and a mild detergent in warm water.
 - To keep your stainless steel refrigerator looking like new and to remove minor scuffs or marks, it is suggested that you use the manufacturer's approved Stainless Steel Cleaner and Polish, Part Number 4396920. To order the cleaner, call **1-800-442-9991** U.S.A. or **1-800-807-6777** Canada.

IMPORTANT: This cleaner is for stainless steel parts only!

Do not allow the Stainless Steel Cleaner and Polish to come into contact with any plastic parts such as the trim pieces, dispenser covers or door gaskets. If unintentional contact does occur, clean plastic part with a sponge and mild detergent in warm water. Dry thoroughly with a soft cloth.

- There is no need for routine condenser cleaning in normal home operating environments. If the environment is particularly greasy or dusty, or there is significant pet traffic in the home, the condenser should be cleaned every 2 to 3 months to ensure maximum efficiency.

If you need to clean the condenser:

- Remove the base grille.
- Use a vacuum cleaner with a soft brush to clean the grille, the open areas behind the grille and the front surface area of the condenser.
- Replace the base grille when finished.

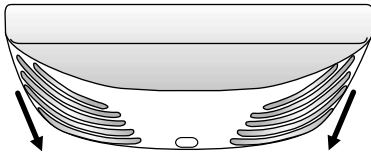
- Plug in refrigerator or reconnect power.

Changing the Light Bulb

NOTE: Not all appliance bulbs will fit your refrigerator. Be sure to replace the bulb with an appliance bulb of the same size, shape, and wattage (no greater than 40 watts).

Changing the Refrigerator Light Bulb

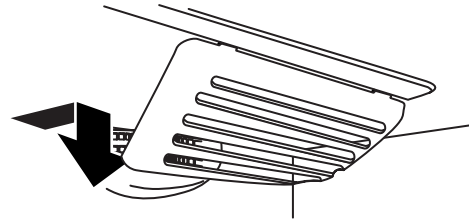
- Unplug the refrigerator or disconnect power.
- Slide the light shield toward the back of the compartment to release it from the light assembly.



- Replace burned-out bulb(s) with appliance bulb(s) no greater than 40 watts.
- Replace the light shield by inserting the tabs on the shield into the liner holes on each side of light assembly. Slide the shield toward the front until it locks into place.
NOTE: To avoid damaging the light shield, do not force the shield beyond the locking point.
- Plug in refrigerator or reconnect power.

Changing the Freezer Light Bulb

- Unplug refrigerator or disconnect power.
NOTE: You may need to remove the upper freezer shelf or basket to access the light assembly.
- The light shield opens from the back. Firmly press forward on the notches in the back of the shield and pull the shield down.



- Remove the shield and replace the burned-out bulb with an appliance bulb no greater than 40 watts.
- Insert the front tabs of the shield into the liner and snap the back portion of the shield over the light assembly.
- Plug in refrigerator or reconnect power.

TROUBLESHOOTING

First try the solutions suggested here or visit our website and reference FAQs (Frequently Asked Questions) to possibly avoid the cost of a service call.

In the U.S.A., www.kitchenaid.com In Canada, www.kitchenaid.ca

Refrigerator Operation

The refrigerator will not operate

⚠ WARNING



Electrical Shock Hazard

Plug into a grounded 3 prong outlet.

Do not remove ground prong.

Do not use an adapter.

Do not use an extension cord.

Failure to follow these instructions can result in death, fire, or electrical shock.

- Power cord unplugged?** Plug into a grounded 3 prong outlet.
- Is outlet working?** Plug in a lamp to see if the outlet is working.

- Household fuse blown or circuit breaker tripped?** Replace the fuse or reset the circuit breaker. If the problem continues, call an electrician.

- Are controls on?** Make sure the refrigerator controls are on. See "Using the Controls."

- New installation?** Allow 24 hours following installation for the refrigerator to cool completely.

NOTE: Adjusting the temperature controls to coldest setting will not cool either compartment more quickly.

The motor seems to run too much

Your new refrigerator may run longer than your old one due to its high-efficiency compressor and fans. The refrigerator may run even longer if the room is warm, a large food load is added, doors are opened often, or if the doors have been left open.

The refrigerator seems noisy

Refrigerator noise has been reduced over the years. Due to this reduction, you may hear intermittent noises from your new refrigerator that you did not notice from your old model. Below are listed some normal sounds with explanations.

- **Buzzing** - heard when the water valve opens to fill the ice maker
- **Pulsating** - fans/compressor adjusting to optimize performance
- **Hissing/Rattling** - flow of refrigerant, movement of water lines, or from items placed on top of the refrigerator
- **Sizzling/Gurgling** - water dripping on the heater during defrost cycle
- **Popping** - contraction/expansion of inside walls, especially during initial cool-down
- **Water running** - may be heard when water melts during the defrost cycle and runs into the drain pan
- **Creaking/Cracking** - occurs as ice is being ejected from the ice maker mold.

The doors will not close completely

- **Door blocked open?** Move food packages away from door.
- **Bin or shelf in the way?** Push bin or shelf back in the correct position.

The doors are difficult to open

WARNING



Explosion Hazard

Use nonflammable cleaner.

Failure to do so can result in death, explosion, or fire.

- **Gaskets dirty or sticky?** Clean gaskets and contact surfaces with mild soap and warm water. Rinse and dry with soft cloth.

Temperature and Moisture

Temperature is too warm

- **New installation?** Allow 24 hours following installation for the refrigerator to cool completely.
- **Door(s) opened often or left open?** Allows warm air to enter refrigerator. Minimize door openings and keep doors fully closed.
- **Large load of food added?** Allow several hours for refrigerator to return to normal temperature.
- **Controls set correctly for the surrounding conditions?** Adjust the controls a setting colder. Check temperature in 24 hours. See "Using the Controls."

There is interior moisture buildup

NOTE: Some moisture buildup is normal.

- **Humid room?** Contributes to moisture buildup.
- **Door(s) opened often or left open?** Allows humid air to enter refrigerator. Minimize door openings and keep doors fully closed.

Ice and Water

The ice maker is not producing ice or not enough ice

- **Refrigerator connected to a water supply and the supply shutoff valve turned on?** Connect refrigerator to water supply and turn water shutoff valve fully open.
- **Kink in the water source line?** A kink in the line can reduce water flow. Straighten the water source line.
- **Ice maker turned on?** Make sure wire shutoff arm or switch (depending on model) is in the ON position.
- **New installation?** Wait 24 hours after ice maker installation for ice production to begin. Wait 72 hours for full ice production.
- **Freezer door closed completely?** Firmly close the freezer compartment door. If the freezer compartment door will not close all the way, see "The doors will not close completely."
- **Large amount of ice recently removed?** Allow 24 hours for ice maker to produce more ice.
- **Ice cube jammed in the ice maker ejector arm?** Remove ice from the ejector arm with a plastic utensil.
- **Water filter installed on the refrigerator?** Remove filter and operate ice maker. If ice volume improves, then the filter may be clogged or incorrectly installed. Replace filter or reinstall it correctly.
- **Reverse osmosis water filtration system connected to your cold water supply?** This can decrease water pressure. See "Water Supply Requirements."

The ice cubes are hollow or small

NOTE: This is an indication of low water pressure.

- **Water shutoff valve not fully open?** Turn the water shutoff valve fully open.
- **Kink in the water source line?** A kink in the line can reduce water flow. Straighten the water source line.
- **Water filter installed on the refrigerator?** Remove filter and operate ice maker. If ice quality improves, then the filter may be clogged or incorrectly installed. Replace filter or reinstall it correctly.
- **Reverse osmosis water filtration system connected to your cold water supply?** This can decrease water pressure. See "Water Supply Requirements."
- **Questions remain regarding water pressure?** Call a licensed, qualified plumber.

Off-taste, odor or gray color in the ice

- **New plumbing connections?** New plumbing connections can cause discolored or off-flavored ice.
- **Ice stored too long?** Discard ice. Wash ice bin. Allow 24 hours for ice maker to make new ice.
- **Odor transfer from food?** Use airtight, moisture proof packaging to store food.
- **Are there minerals (such as sulfur) in the water?** A water filter may need to be installed to remove the minerals.
- **Water filter installed on the refrigerator?** Gray or dark discoloration in ice indicates that the water filtration system needs additional flushing. Flush the water system before using a new water filter. Replace water filter when indicated. See "Water Filtration System."

The water dispenser will not operate properly

- **Refrigerator connected to a water supply and the supply shutoff valve turned on?** Connect refrigerator to water supply and turn water shutoff valve fully open.
- **Kink in the water source line?** Straighten the water source line.
- **New installation?** Flush and fill the water system. See "Water Dispenser."
- **Is the water pressure at least 35 psi (241 kPa)?** The water pressure to the home determines the flow from the dispenser. See "Water Supply Requirements."
- **Water filter installed on the refrigerator?** Remove filter and operate dispenser. If water flow increases, the filter may be clogged or incorrectly installed. Replace filter or reinstall it correctly.
- **Refrigerator door closed completely?** Close the door firmly. If it does not close completely, see "The doors will not close completely."
- **Recently removed the doors?** Make sure the water dispenser wire/tube assembly has been properly reconnected. See "Refrigerator Doors."
- **Reverse osmosis water filtration system connected to your cold water supply?** This can decrease water pressure. See "Water Supply Requirements."

Water is leaking from the dispenser system

NOTE: One or two drops of water after dispensing is normal.

- **Glass not being held under the dispenser long enough?** Hold the glass under the dispenser 2 to 3 seconds after releasing the dispenser lever.
- **New installation?** Flush the water system. See "Water Dispenser."
- **Recently changed water filter?** Flush the water system. See "Water Dispenser."
- **Water on the floor near the base grille?** Make sure the water dispenser tube connections are fully tightened. See "Refrigerator Doors."

Water from the dispenser is warm

NOTE: Water from the dispenser is only chilled to 50°F (10°C).

- **New installation?** Allow 24 hours after installation for the water supply to cool completely.
- **Recently dispensed large amount of water?** Allow 24 hours for water supply to cool completely.
- **Water not been recently dispensed?** The first glass of water may not be cool. Discard the first glass of water.
- **Refrigerator connected to a cold water pipe?** Make sure the refrigerator is connected to a cold water pipe. See "Water Supply Requirements."

WATER FILTER CERTIFICATIONS

State of California
Department of Health Services
Water Treatment Device
Certificate Number

03-1583

Date Issued: September 16, 2003
Date Revised: April 22, 2004

Trademark/Model Designation	Replacement Elements
UKF8001AXX750	UKF8001AXX
469006-750	469006
67003523-750	67003523

Manufacturer: PentaPure Inc.

The water treatment device(s) listed on this certificate have met the testing requirements pursuant to Section 116830 of the Health and Safety Code for the following health related contaminants:

Microbiological Contaminants and Turbidity	Inorganic/Radiological Contaminants
Cysts	Asbestos
Turbidity	Lead
	Mercury

Organic Contaminants
Atrazine
Lindane
Benzene
Carbofuran
p-dichlorobenzene
Toxaphene

Rated Service Capacity: 750 gal.

Rated Service Flow: 0.78 gpm

Conditions of Certification:

Do not use where water is microbiologically unsafe or with water of unknown quality, except that systems certified for cyst reduction may be used on disinfected waters that may contain filterable cysts.

PRODUCT DATA SHEETS

Interior Water Filtration System Model 67003523-750 Capacity 750 Gallons (2839 Liters)



System tested and certified by NSF International against NSF/ANSI Standard 42 for the reduction of Chlorine Taste and Odor, Particulate Class I*; and against NSF/ANSI Standard 53 for the reduction of Lead, Mercury, Atrazine, Toxaphene, Cysts, Turbidity, Asbestos and Lindane.

This system has been tested according to NSF/ANSI Standards 42 and 53 for the reduction of the substances listed below. The concentration of the indicated substances in water entering the system was reduced to a concentration less than or equal to the permissible limit for water leaving the system, as specified in NSF/ANSI Standards 42 and 53.

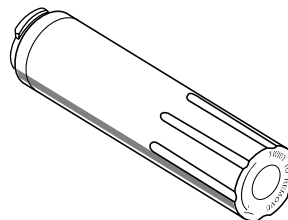
Substance Reduction Aesthetic Effects	NSF Reduction Requirements	Average Influent	Influent Challenge Concentration	Maximum Effluent	Average Effluent	Minimum% Reduction	Average% Reduction
Chlorine Taste/Odor Particulate Class I*	50% reduction 85% reduction	1.88 mg/L 5,700,000 #/mL	2.0 mg/L ± 10% At least 10,000 particles/mL	0.06 mg/L 69,000 #/mL**	0.05 mg/L 30,583 #/mL	96.84 98.94	>97.26 99.52
Contaminant Reduction	NSF Reduction Requirements	Average Influent	Influent Challenge Concentration	Maximum Effluent	Average Effluent	Minimum% Reduction	Average% Reduction
Lead: @ pH 6.5 Lead: @ pH 8.5	0.010 mg/L 0.010 mg/L	0.153 mg/L [†] 0.150 mg/L [†]	0.15 mg/L ± 10% 0.15 mg/L ± 10%	< 0.001mg/L < 0.001mg/L	< 0.001mg/L < 0.001mg/L	>99.29% >99.29%	>99.35% >99.33%
Mercury: @ pH 6.5 Mercury: @ pH 8.5	0.002 mg/L 0.002 mg/L	0.006 mg/L 0.006 mg/L	0.006 mg/L ± 10% 0.006 mg/L ± 10%	0.0005 mg/L 0.0015 mg/L	0.0003 mg/L 0.0008 mg/L	90.91 75.93	95.70 86.22
Toxaphene	0.003 mg/L	0.015 mg/L	0.015 ± 10%	< 0.001mg/L	< 0.001mg/L	91.67%	92.97%
Atrazine	0.003 mg/L	0.009mg/L	0.009 mg/L ± 10%	< 0.002 mg/L	< 0.002 mg/L	75.31%	76.99%
Asbestos	99%	155 MF/L	10 ⁷ to 10 ⁸ fibers/L ^{††}	< 1 MF/L	< 1 MF/L	>99.99%	>99.99%
Live Cysts [‡] Turbidity	>99.95% 0.5 NTU	166,500 #/L 10.7 NTU	50,000/L min. 11 ± 1 NTU	< 1 #/L [‡] 0.49 NTU	< 1 #/L [‡] 0.31 NTU	>99.99 95.2	>99.99 97.09
Lindane	0.0002 mg/L	0.002 mg/L	0.002 ± 10%	< 0.0001mg/L	0.000 mg/L	96.50%	98.72%

Test Parameters: pH = 7.5 ± 0.5 unless otherwise noted. Flow = 0.78 gpm (1.9 Lpm). Pressure = 60 psig (413.7 kPa). Temp. = 68°F to 71.6°F (20°C to 22°C).

- It is essential that operational, maintenance, and filter replacement requirements be carried out for the product to perform as advertised.
- The filter monitor system measures the amount of water that passes through the filter and alerts you to replace the filter. When 90% of the filter's rated life is used, the yellow (Order) light comes on. When 100% of the filter's rated life is used, the red (Replace) light comes on, and it is recommended that you replace the filter. For models without filter status lights, replace the filter every 6 months. Use replacement filter model 67003523; order Part Number 4396395. 2007 suggested retail price of \$49.99 U.S.A./\$65.95 Canada. Prices are subject to change without notice.
- The product is for cold water use only.
- Do not use with water that is microbiologically unsafe or of unknown quality without adequate disinfection before or after the system. Systems certified for cyst reduction may be used on disinfected waters that may contain filterable cysts.
- Refer to the "Water Filtration System" section for the Manufacturer's name and telephone number.
- Refer to the "Warranty" section for the Manufacturer's limited warranty.

Application Guidelines/Water Supply Parameters

Water Supply	City or Well
Water Pressure	35 - 120 psi (241 - 827 kPa)
Water Temperature	33° - 100°F (1° - 38°C)
Service Flow Rate	0.78 gpm (2.9 L/min.) @ 60 psi



*Class I particle size: >0.5 to <1 µm

**Test requirement is at least 100,000 particles/mL of AC Fine Test Dust.

[†]These contaminants are not necessarily in your water supply. Performance may vary based on local water conditions.

^{††}Fibers greater than 10 µm in length

[‡]Based on the use of Cryptosporidium parvum oocysts

® NSF is a registered trademark of NSF International.

KITCHENAID® REFRIGERATOR WARRANTY

ONE YEAR LIMITED WARRANTY

For one year from the date of purchase, when this major appliance is operated and maintained according to instructions attached to or furnished with the product, KitchenAid or KitchenAid Canada (hereafter "KitchenAid") will pay for factory specified parts and repair labor to correct defects in materials or workmanship. Service must be provided by a KitchenAid designated service company.

On models with a water filter: 30 day limited warranty on water filter. For 30 days from the date of purchase, when this filter is operated and maintained according to instructions attached to or furnished with the product, KitchenAid will pay for replacement parts to correct defects in materials and workmanship.

SECOND THROUGH FIFTH YEAR LIMITED WARRANTY ON CAVITY LINER AND SEALED REFRIGERATION SYSTEM PARTS

In the second through fifth years from the date of purchase, when this major appliance is operated and maintained according to instructions attached to or furnished with the product, KitchenAid will pay for replacement or repair of the refrigerator/freezer cavity liner (including labor costs) if the part cracks due to defective materials or workmanship. Also, in the second through fifth years from the date of purchase, KitchenAid will pay for factory specified parts and labor to correct defects in materials or workmanship in the sealed refrigeration system. These parts are: compressor, evaporator, condenser, dryer, and connecting tubing. Service must be provided by a KitchenAid designated service company.

SIXTH THROUGH TENTH YEAR LIMITED WARRANTY ON SEALED REFRIGERATION SYSTEM PARTS

In the sixth through tenth years from date of purchase, when this major appliance is operated and maintained according to instructions attached to or furnished with the product, KitchenAid will pay for factory specified parts to correct defects in materials or workmanship in the sealed refrigeration system. These parts are: compressor, evaporator, condenser, dryer, and connecting tubing.

ITEMS KITCHENAID WILL NOT PAY FOR

1. Service calls to correct the installation of your major appliance, to instruct you how to use your major appliance, to replace or repair house fuses or to correct house wiring or plumbing.
 2. Service calls to repair or replace appliance light bulbs, air filters or water filters.
 3. Repairs when your major appliance is used for other than normal, single-family household use.
 4. Damage resulting from accident, alteration, misuse, abuse, fire, flood, acts of God, improper installation, installation not in accordance with electrical or plumbing codes, or use of products not approved by KitchenAid.
 5. Any food loss due to refrigerator or freezer product failures.
 6. Replacement parts or repair labor costs for units operated outside the United States or Canada.
 7. Pickup and delivery. This major appliance is designed to be repaired in the home.
 8. Repairs to parts or systems resulting from unauthorized modifications made to the appliance.
 9. Expenses for travel and transportation for product service in remote locations.
 10. The removal and reinstallation of your appliance if it is installed in an inaccessible location or is not installed in accordance with published installation instructions.
 11. Replacement parts or repair labor costs when the major appliance is used in a country other than the country in which it was purchased.
-

DISCLAIMER OF IMPLIED WARRANTIES; LIMITATION OF REMEDIES

CUSTOMER'S SOLE AND EXCLUSIVE REMEDY UNDER THIS LIMITED WARRANTY SHALL BE PRODUCT REPAIR AS PROVIDED HEREIN. IMPLIED WARRANTIES, INCLUDING WARRANTIES OF MERCHANTABILITY OR FITNESS FOR A PARTICULAR PURPOSE, ARE LIMITED TO ONE YEAR OR THE SHORTEST PERIOD ALLOWED BY LAW. KITCHENAID SHALL NOT BE LIABLE FOR INCIDENTAL OR CONSEQUENTIAL DAMAGES. SOME STATES AND PROVINCES DO NOT ALLOW THE EXCLUSION OR LIMITATION OF INCIDENTAL OR CONSEQUENTIAL DAMAGES, OR LIMITATIONS ON THE DURATION OF IMPLIED WARRANTIES OF MERCHANTABILITY OR FITNESS, SO THESE EXCLUSIONS OR LIMITATIONS MAY NOT APPLY TO YOU. THIS WARRANTY GIVES YOU SPECIFIC LEGAL RIGHTS AND YOU MAY ALSO HAVE OTHER RIGHTS, WHICH VARY FROM STATE TO STATE OR PROVINCE TO PROVINCE.

Outside the 50 United States and Canada, this warranty does not apply. Contact your authorized KitchenAid dealer to determine if another warranty applies.

5/07

For additional product information, in the U.S.A., visit www.kitchenaid.com

In Canada, visit www.kitchenaid.ca

If you do not have access to the Internet and you need assistance using your product or you would like to schedule service, you may contact KitchenAid at the number below.

Have your complete model number ready. You can find your model number and serial number on the label, located on the inside wall of the refrigerator compartment.

For assistance or service in the U.S.A., call 1-800-422-1230. In Canada, call 1-800-807-6777.

If you need further assistance, you can write to KitchenAid with any questions or concerns at the address below:

In the U.S.A.:

KitchenAid Brand Home Appliances
Customer eXperience Center
553 Benson Road
Benton Harbor, MI 49022-2692

In Canada:

KitchenAid Brand Home Appliances
Customer eXperience Centre
1901 Minnesota Court
Mississauga, Ontario L5N 3A7

Please include a daytime phone number in your correspondence.

Please keep this User Instructions and model number information for future reference.

Notes

INSTRUCTIONS D'UTILISATION DU RÉFRIGÉRATEUR

Nous vous REMERCIONS d'avoir acheté ce produit de haute qualité. Si vous rencontrez un problème non mentionné dans la section DÉPANNAGE, veuillez visiter notre site Web www.kitchenaid.com pour des informations supplémentaires. Si vous avez toujours besoin d'assistance, veuillez nous téléphoner au 1-800-422-1230. Au Canada, visitez notre site Web www.kitchenaid.ca ou téléphonez-nous au 1-800-807-6777.

Vous aurez besoin de vos numéros de modèle et de série situés sur la paroi interne du compartiment de réfrigération.

SÉCURITÉ DU RÉFRIGÉRATEUR

Votre sécurité et celle des autres est très importante.

Nous donnons de nombreux messages de sécurité importants dans ce manuel et sur votre appareil ménager. Assurez-vous de toujours lire tous les messages de sécurité et de vous y conformer.



Voici le symbole d'alerte de sécurité.

Ce symbole d'alerte de sécurité vous signale les dangers potentiels de décès et de blessures graves à vous et à d'autres.

Tous les messages de sécurité suivront le symbole d'alerte de sécurité et le mot "DANGER" ou "AVERTISSEMENT". Ces mots signifient :

⚠ DANGER

Risque possible de décès ou de blessure grave si vous ne suivez pas immédiatement les instructions.

⚠ AVERTISSEMENT

Risque possible de décès ou de blessure grave si vous ne suivez pas les instructions.

Tous les messages de sécurité vous diront quel est le danger potentiel et vous disent comment réduire le risque de blessure et ce qui peut se produire en cas de non-respect des instructions.

IMPORTANTES INSTRUCTIONS DE SÉCURITÉ

AVERTISSEMENT : Pour réduire les risques d'incendie, de choc électrique ou des blessures lors de l'utilisation du réfrigérateur, prendre quelques précautions fondamentales, y compris les suivantes :

- Brancher l'appareil sur une prise à 3 alvéoles reliée à la terre.
- Ne pas enlever la broche de liaison à la terre.
- Ne pas utiliser un adaptateur.
- Ne pas utiliser un câble de rallonge.
- Débrancher la source de courant électrique avant l'entretien.
- Replacer pièces et panneaux avant de faire la remise en marche.
- Enlever les portes de votre vieux réfrigérateur.
- Utiliser un produit de nettoyage ininflammable.
- Garder les matériaux et les vapeurs inflammables, telle que l'essence, loin du réfrigérateur.
- Utiliser deux ou plus de personnes pour déplacer et installer le réfrigérateur.
- Débrancher le réfrigérateur avant l'installation de la machine à glaçons (seulement pour modèles prêts à recevoir une machine à glaçons).

CONSERVEZ CES INSTRUCTIONS

Mise au rebut de votre vieux réfrigérateur

⚠ AVERTISSEMENT

Risque de suffoquer

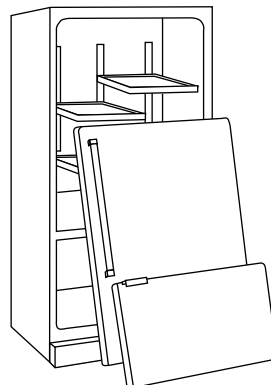
Enlever les portes de votre vieux réfrigérateur.

Le non-respect de cette instruction peut causer un décès ou des lésions cérébrales.

IMPORTANT : L'emprisonnement et l'étouffement des enfants ne sont pas un problème du passé. Les réfrigérateurs jetés ou abandonnés sont encore dangereux, même s'ils sont laissés abandonnés pendant "quelques jours seulement". Si vous vous débarrassez de votre vieux réfrigérateur, veuillez suivre les instructions suivantes pour aider à éviter les accidents.

Avant de jeter votre vieux réfrigérateur ou congélateur :

- Enlever les portes.
- Laisser les tablettes en place de sorte que les enfants ne puissent pas y pénétrer facilement.



INSTRUCTIONS D'INSTALLATION

Déballage du réfrigérateur

⚠ AVERTISSEMENT

Risque du poids excessif

Utiliser deux ou plus de personnes pour déplacer et installer le réfrigérateur.

Le non-respect de cette instruction peut causer une blessure au dos ou d'autre blessure.

Importants renseignements à savoir au sujet des tablettes et des couvercles en verre :

Ne pas nettoyer les tablettes ou couvercles en verre avec de l'eau tiède quand ils sont froids. Les tablettes et les couvercles peuvent se briser s'ils sont exposés à des changements soudains de température ou à un impact tel que coup brusque. Pour votre protection, le verre trempé est conçu pour éclater en d'innombrables pièces minuscules. Ceci est normal. Les tablettes et les couvercles en verre sont lourds. Un soin spécial s'impose lors de leur déplacement pour éviter l'impact d'une chute.

Enlèvement des matériaux d'emballage

- Enlever le ruban adhésif et la colle des surfaces du réfrigérateur avant de le mettre en marche. Frotter une petite quantité de savon liquide pour la vaisselle sur l'adhésif avec les doigts. Rincer à l'eau tiède et essuyer.
- Ne pas utiliser d'instruments coupants, d'alcool à friction, de liquides inflammables ou de nettoyants abrasifs pour enlever le ruban adhésif ou la colle. Ces produits peuvent endommager la surface de votre réfrigérateur. Pour plus de renseignements, voir "Sécurité du réfrigérateur".
- Jeter ou recycler tous les matériaux d'emballage.

Déplacement de votre réfrigérateur :

Votre réfrigérateur est lourd. Lors du déplacement du réfrigérateur pour le nettoyage ou le service, veiller à protéger le plancher. Toujours tirer le réfrigérateur tout droit lors du déplacement. Ne pas incliner le réfrigérateur d'un côté ou de l'autre ni le "faire marcher" en essayant de le déplacer car le plancher pourrait être endommagé.

Nettoyage avant l'utilisation

Après avoir enlevé tous les matériaux d'emballage, nettoyer l'intérieur du réfrigérateur avant de l'utiliser. Voir les instructions de nettoyage dans "Entretien du réfrigérateur".

Exigences d'emplacement

⚠ AVERTISSEMENT



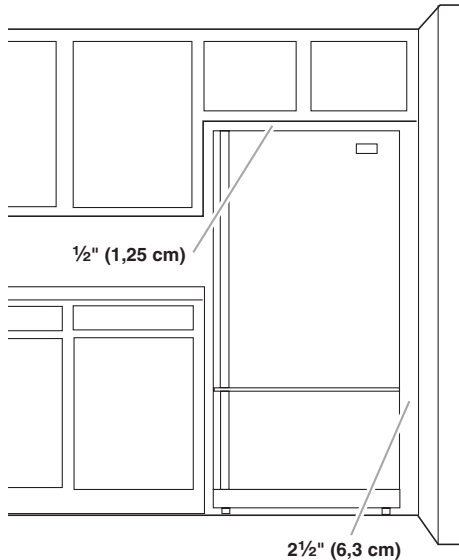
Risque d'explosion

Garder les matériaux et les vapeurs inflammables, telle que l'essence, loin du réfrigérateur.

Le non-respect de cette instruction peut causer un décès, une explosion ou un incendie.

Pour assurer une ventilation convenable à votre réfrigérateur, laisser un espace de 1/2" (1,25 cm) en haut et derrière le réfrigérateur. Si votre réfrigérateur comporte une machine à glaçons, s'assurer qu'un espace additionnel est prévu à l'arrière pour permettre les connexions des conduits d'eau. En cas d'installation du réfrigérateur près d'un mur fixe, laisser un espace minimum de 2 1/2" (6,3 cm) du côté de la charnière (certains modèles nécessitent davantage d'espace) pour permettre à la porte de s'ouvrir sans obstruction.

REMARQUE : Il est recommandé de ne pas installer le réfrigérateur près d'un four, d'un radiateur ou de toute autre source de chaleur. Ne pas installer le réfrigérateur dans un endroit où la température baissera au-dessous de 55°F (13°C).



Spécifications électriques

⚠ AVERTISSEMENT



Risque de choc électrique

- Brancher sur une prise à 3 alvéoles reliée à la terre.**
- Ne pas enlever la broche de liaison à la terre.**
- Ne pas utiliser un adaptateur.**
- Ne pas utiliser un câble de rallonge.**
- Le non-respect de ces instructions peut causer un décès, un incendie ou un choc électrique.**

Avant de placer le réfrigérateur à son emplacement final, il est important de vous assurer d'avoir la connexion électrique appropriée.

Méthode recommandée de mise à la terre

Une source d'alimentation de 115 volts, 60 Hz, type 15 ou 20 ampères CA seulement, protégée par fusible et adéquatement mise à la terre, est nécessaire. Il est recommandé d'utiliser un circuit distinct pour alimenter uniquement votre réfrigérateur. Utiliser une prise murale qui ne peut pas être mise hors circuit à l'aide d'un commutateur. Ne pas utiliser un câble de rallonge.

REMARQUE : Avant d'exécuter tout type d'installation, nettoyage ou remplacement d'une ampoule d'éclairage, tourner la commande (réglage du thermostat, du réfrigérateur ou du congélateur selon le modèle) à OFF (arrêt) et déconnecter ensuite le réfrigérateur de la source d'alimentation électrique. Lorsque vous avez terminé, reconnecter le réfrigérateur à la source d'alimentation électrique et tourner de nouveau la commande (réglage du thermostat, du réfrigérateur ou du congélateur selon le modèle) au réglage désiré. Voir "Utilisation des commandes".

Spécifications de l'alimentation en eau

Rassembler les outils et pièces nécessaires avant de commencer l'installation. Lire et suivre les instructions fournies avec les outils indiqués ici.

OUTILLAGE REQUIS :

- Tournevis à lame plate
- Clés plates de 7/16" et 1/2" ou deux clés à molette réglables
- Tourne-écrou de 1/4"
- Foret de 1/4"
- Perceuse sans fil

IMPORTANT :

- Toutes les installations doivent être conformes aux exigences des codes locaux de plomberie.
- Ne pas employer de robinet d'arrêt à étrier de 3/16" (4,76 mm) ou de type à percer, ce qui réduit le débit d'eau et cause une obstruction plus facilement.
- Utiliser un tube en cuivre et vérifier s'il y a des fuites. Installer les tubes en cuivre seulement à des endroits où la température se maintient au-dessus du point de congélation.

Pression de l'eau

Une alimentation en eau froide avec une pression entre 35 et 120 lb/po² (241 et 827 kPa) est nécessaire pour faire fonctionner le distributeur d'eau et la machine à glaçons. Si vous avez des questions au sujet de la pression de votre eau, appeler un plombier qualifié agréé.

Alimentation en eau par osmose inverse

IMPORTANT : La pression de l'alimentation en eau entre le système d'osmose inverse et la valve d'arrivée d'eau du réfrigérateur doit être entre 35 et 120 lb/po² (241 et 827 kPa).

Si un système de purification de l'eau par osmose inverse est raccordé à votre alimentation en eau froide, la pression de l'eau au système doit être d'un minimum de 40 à 60 lb/po² (276 à 414 kPa).

Si la pression de l'eau au système d'osmose inverse est inférieure à 40 à 60 lb/po² (276 à 414 kPa) :

- Vérifier pour voir si le filtre à sédiment du système d'osmose inverse est bloqué et le remplacer si nécessaire.
- Laisser le réservoir du système d'osmose inverse se remplir après une utilisation intense.
- Si votre réfrigérateur a un filtre à eau, celui-ci peut réduire encore plus la pression de l'eau lorsqu'elle est utilisée avec un système d'osmose inverse. Retirer le filtre à eau. Voir "Système de filtration de l'eau".

Si vous avez des questions au sujet de la pression de votre eau, appelez un plombier qualifié agréé.

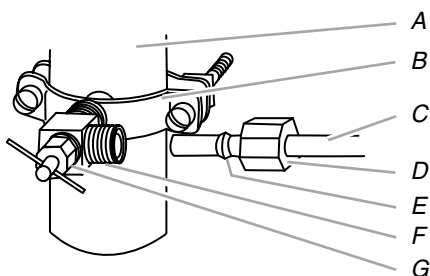
Raccordement de la canalisation d'eau

Lire toutes les instructions avant de commencer.

IMPORTANT : Si on doit utiliser le réfrigérateur avant qu'il soit raccordé à la canalisation d'eau, placer la commande de la machine à glaçons à la position OFF (arrêt).

Raccordement à une canalisation d'eau

1. Débrancher le réfrigérateur ou déconnecter la source de courant électrique.
2. FERMER le robinet principal d'arrivée d'eau. OUVRIER le robinet de puisage le plus proche pendant une période suffisante pour que la canalisation d'eau se vide.
3. Trouver une canalisation d'eau froide verticale de 1/2" à 1/4" (12,7 mm à 31,8 mm) près du réfrigérateur.
IMPORTANT :
 - Assurez-vous qu'il s'agit d'un conduit d'eau froide.
 - Un conduit horizontal fonctionnera, mais le procédé suivant doit être suivi : percer par le dessus de la canalisation et non pas par le dessous. Ainsi, l'eau ne risquera pas d'arroser la perceuse. Ceci empêche également les sédiments qu'on trouve normalement dans l'eau de s'accumuler dans le robinet.
4. Pour déterminer la longueur du tube en cuivre, il faut mesurer la distance séparant le point de connexion situé à l'arrière du réfrigérateur et la canalisation d'eau. Ajouter une longueur de 7 pi (2,1 m) pour permettre le déplacement du réfrigérateur pour le nettoyage. Utiliser un tube en cuivre de 1/4" (6,35 mm) de diamètre extérieur. Veiller à ce que le tube soit coupé d'équerre aux deux extrémités.
5. Lors de l'utilisation d'une perceuse sans fil, percer un trou de 1/4" dans le tuyau de canalisation d'eau froide choisie.



- | | |
|------------------------------|-------------------------|
| A. Canalisation d'eau froide | E. Bague de compression |
| B. Bride de tuyau | F. Robinet d'arrêt |
| C. Tube en cuivre | G. Écrou de serrage |
| D. Écrou de compression | |

6. Fixer le robinet d'arrêt sur la canalisation d'eau froide avec la bride de tuyau. Vérifier que le raccord du robinet est bien engagé dans le trou de 1/4" percé dans la canalisation et que la rondelle d'étanchéité est placée sous la bride de tuyau. Serrer l'écrou de serrage. Serrer lentement et uniformément les vis de la bride de tuyau afin que la rondelle forme une jonction étanche. Ne pas serrer excessivement car ceci pourrait provoquer l'écrasement du tube en cuivre.
7. Enfiler l'écrou et la bague de compression du raccord sur le tube en cuivre comme on le voit sur l'illustration. Insérer l'extrémité du tube aussi loin que possible dans l'ouverture de sortie du robinet. Visser l'écrou de compression sur le raccord de sortie avec une clé à molette. Ne pas serrer excessivement.

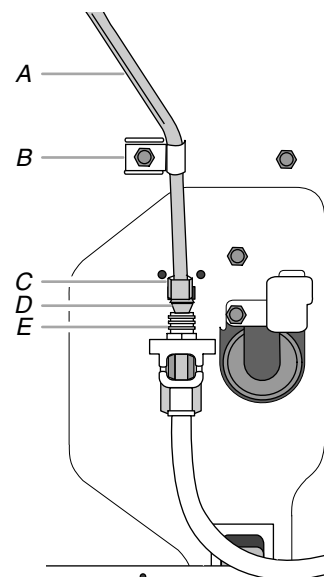
8. Placer le bout libre du tube dans un contenant ou évier et OUVRIER le robinet principal d'arrivée d'eau. Laisser l'eau s'écouler par le tube jusqu'à ce que l'eau soit limpide. FERMER le robinet principal d'arrivée d'eau.

Raccordement au réfrigérateur

Selon le modèle, la canalisation d'eau peut être configurée vers le haut ou vers le bas. Suivre les instructions de raccordement appropriées à votre modèle.

Style 1

1. Enlever le capuchon de plastique de la valve d'entrée d'eau. Connecter le tube en cuivre au robinet d'eau en utilisant un écrou de compression tel qu'illustré. Serrer l'écrou de compression. Ne pas serrer excessivement. Vérifier que le tube en cuivre est fixé solidement en tirant sur le tube en cuivre.
2. Créer une boucle de service avec le tube de cuivre. Éviter les déformations en pliant le tube de cuivre. Fixer le tube en cuivre à la caisse du réfrigérateur avec une bride en "P".

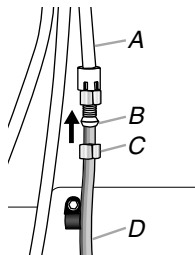


- | | |
|-------------------------|-------------------------|
| A. Tube en cuivre | D. Bague de compression |
| B. Bride en "P" | E. Valve d'entrée d'eau |
| C. Écrou de compression | |

3. Ouvrir l'arrivée d'eau au réfrigérateur et vérifier s'il y a des fuites. Corriger toute fuite.

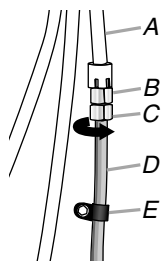
Style 2

1. Créer une boucle de service (diamètre minimum de 2 pi [61 cm]) avec le tube de cuivre. Éviter les déformations en pliant le tube de cuivre.
2. Retirer le capuchon de plastique du robinet d'arrivée d'eau. Placer un écrou de compression et une bague sur le tube de cuivre.
3. Insérer l'extrémité du tube de cuivre dans l'orifice d'arrivée d'eau. Ajuster le tube de cuivre de façon à ce qu'il s'adapte parfaitement à l'orifice d'arrivée d'eau pour éviter les déformations.
4. Faire glisser l'écrou de compression sur la bague, serrer pour le fixer sur l'orifice d'arrivée d'eau.



A. Tube en plastique pour canalisation d'eau
B. Bague
C. Écrou de compression
D. Tube de cuivre

5. À l'aide d'une clé à molette, fixer l'écrou sur la canalisation d'eau pour l'empêcher de se déplacer. Ensuite, à l'aide d'une deuxième clé, tourner l'écrou sur le tube de cuivre dans le sens antihoraire pour serrer complètement. Ne pas serrer excessivement.



A. Canalisation d'eau en plastique
B. Orifice d'arrivée d'eau
C. Écrou de compression
D. Tube de cuivre
E. Bride en "P"

6. Vérifier la solidité du raccordement en tirant sur le tube de cuivre. Fixer le tube de cuivre à la caisse du réfrigérateur à l'aide d'une bride en "P". Ouvrir la canalisation d'eau du réfrigérateur et inspecter s'il y a des fuites. Corriger toute fuite.

Achever l'installation

⚠ AVERTISSEMENT



Risque de choc électrique

Brancher sur une prise à 3 alvéoles reliée à la terre.

Ne pas enlever la broche de liaison à la terre.

Ne pas utiliser un adaptateur.

Ne pas utiliser un câble de rallonge.

Le non-respect de ces instructions peut causer un décès, un incendie ou un choc électrique.

1. Brancher le réfrigérateur sur une prise à 3 alvéoles reliée à la terre.

REMARQUE : Prévoir un délai de 24 heures pour la production du premier lot de glaçons. Jeter les trois premiers lots de glaçons produits. Prévoir un délai de 3 jours pour le remplissage complet du récipient à glaçons.

Porte(s) et tiroir du réfrigérateur

Les illustrations sont incluses plus loin dans cette section.

Enlèvement et réinstallation des poignées

1. À l'aide d'une clé Allen de $\frac{3}{32}$ " , desserrer les deux vis de retenue situées sur le côté de chaque poignée. Voir illustrations 1 et 2.
2. Tirer sur la poignée tout droit pour la sortir de la porte. S'assurer de garder les vis pour réinstaller les poignées.
3. Pour réinstaller les poignées, suivre les instructions dans l'ordre inverse.

Enlèvement des portes et des charnières

⚠ AVERTISSEMENT



Risque de choc électrique

Déconnecter la source de courant électrique avant d'enlever les portes.

Le non-respect de cette instruction peut causer un décès ou un choc électrique.

IMPORTANT :

- Retirer les aliments et tout balconnet ou compartiment utilitaire des portes.
- Toutes les illustrations mentionnées dans les instructions suivantes sont incluses plus loin dans cette section après "Étapes finales".

OUTILLAGE REQUIS : Clés à douille à lame hexagonale de 5/16", 3/8" et 1/4", tournevis Phillips n° 2 et tournevis à tête plate.

1. Débrancher le réfrigérateur ou déconnecter la source de courant électrique.
2. Laisser le réfrigérateur fermé jusqu'à ce vous soyez prêt à le soulever de la caisse.

REMARQUE : Prévoir un support additionnel des portes pendant la réinstallation des charnières. La force d'attraction des aimants des portes ne suffit pas à les maintenir en place.

3. En commençant par la porte du côté droit, ôter les pièces de la charnière supérieure – voir l'illustration de la charnière supérieure. Soulever la porte du réfrigérateur de l'axe de la charnière inférieure.

REMARQUE : Sur certains modèles, ôter la cale de l'axe de la charnière inférieure et la conserver pour utilisation ultérieure. Voir l'illustration de la charnière inférieure.

4. Avant de retirer la porte du côté gauche, déconnecter la fiche de branchement située sur la partie supérieure de la charnière supérieure en coinçant un tournevis à lame plate ou votre ongle entre les deux sections. Voir l'illustration de la fiche de branchement.

REMARQUE : Le conducteur vert de liaison à la terre reste fixé à la charnière.

5. Enlever les pièces de la charnière supérieure - voir l'illustration de la charnière supérieure. Soulever la porte du côté gauche de l'axe de la charnière inférieure.

REMARQUE : Sur certains modèles, ôter la cale de l'axe de la charnière inférieure et la conserver pour utilisation ultérieure. Voir l'illustration de la charnière inférieure.

Remplacement des portes et des charnières

1. Assembler les pièces de la charnière supérieure. Voir l'illustration de la charnière supérieure. Ne pas complètement serrer les vis.
2. Replacer les pièces de la charnière inférieure. Voir l'illustration de la charnière inférieure. Resserrer les vis. Replacer la porte du réfrigérateur.

REMARQUE : Prévoir un support additionnel des portes pendant la réinstallation des charnières. La force d'attraction des aimants des portes ne suffit pas à les maintenir en place.

3. Aligner la porte de sorte que le bas de la porte du réfrigérateur s'aligne parfaitement avec le sommet du tiroir du compartiment de congélation. Serrer toutes les vis.
4. Reconnecter la fiche de branchement sur la partie supérieure de la porte du côté gauche du réfrigérateur.
5. Réinstaller les couvercles de la charnière supérieure.

Enlèvement et réinstallation de la façade du tiroir de congélation

IMPORTANT : Deux personnes peuvent être nécessaires pour retirer et réinstaller la façade du tiroir de congélation. Les illustrations sont incluses plus loin dans cette section.

Enlèvement de la façade du tiroir

1. Ouvrir le tiroir de congélation complètement.
2. Desserrer les quatre vis fixant les glissières du tiroir à la façade du tiroir. Voir l'illustration de dépose de l'avant du tiroir.
REMARQUE : Desserrer les vis en appliquant trois à quatre tours. Laisser les vis sur la façade du tiroir.
3. Glisser la façade du tiroir vers le haut et hors des vis. Voir l'illustration de dépose de l'avant du tiroir.

Réinstallation de la façade du tiroir

1. Tirer les glissières du tiroir hors du compartiment de congélation. Insérer les vis au sommet de la façade du tiroir dans les trous situés sur les brides du tiroir. Voir l'illustration de réinstallation de l'avant du tiroir.
2. Tirer les brides du tiroir vers soi pour placer les deux vis au bas de la façade du tiroir dans les brides. Voir l'illustration de réinstallation de l'avant du tiroir.
3. Serrer complètement les quatre vis.

Étapes finales

⚠ AVERTISSEMENT



Risque de choc électrique

Brancher sur une prise à 3 alvéoles reliée à la terre.

Ne pas enlever la broche de liaison à la terre.

Ne pas utiliser un adaptateur.

Ne pas utiliser un câble de rallonge.

Le non-respect de ces instructions peut causer un décès, un incendie ou un choc électrique.

1. Brancher sur une prise à 3 alvéoles reliée à la terre.
2. Réinstaller toutes les pièces amovibles dans les portes; y ranger les aliments.



⚠ AVERTISSEMENT

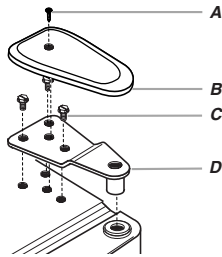
Risque de choc électrique

Déconnecter la source de courant électrique avant d'enlever les portes.

Le non-respect de cette instruction peut causer un décès ou un choc électrique.

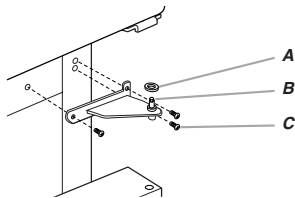
Dépose et réinstallation des portes

Charnières supérieures



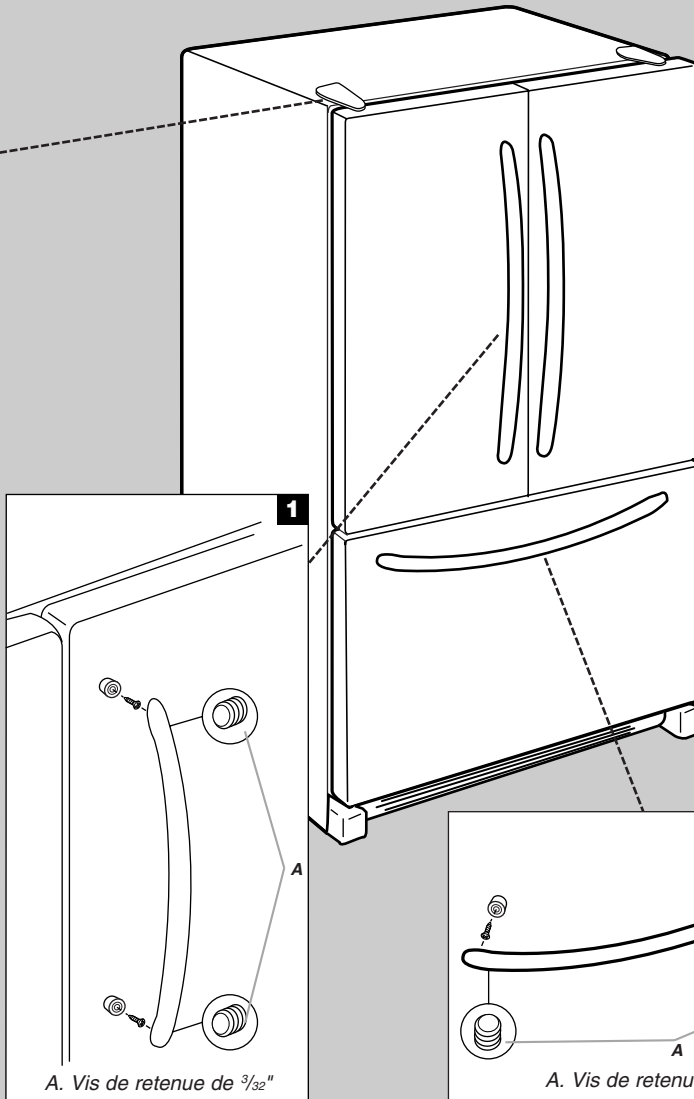
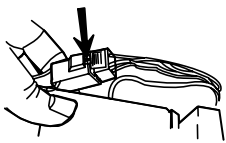
- A. Vis du couvercle de la charnière
- B. Couvercle de la charnière supérieure
- C. Vis de charnière à tête hexagonale de $\frac{3}{16}$ "
- D. Charnière supérieure

Charnières inférieures



- A. Cale (sur certains modèles)
- B. Charnière inférieure
- C. Vis de charnière

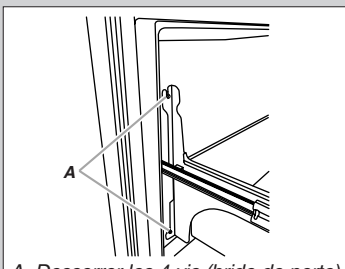
Fiche de branchement



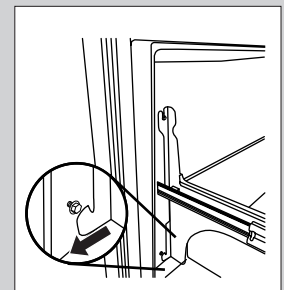
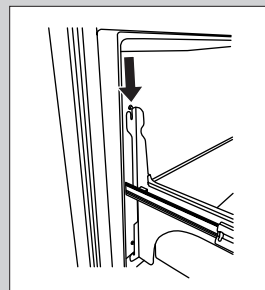
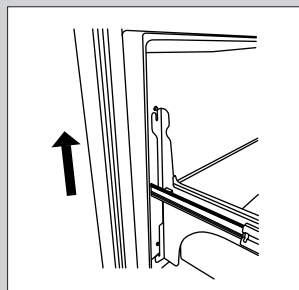
A. Vis de retenue de $\frac{3}{32}$ "

A. Vis de retenue de $\frac{3}{32}$ "

Dépose de la façade du tiroir



A. Desserrer les 4 vis (bride de porte)

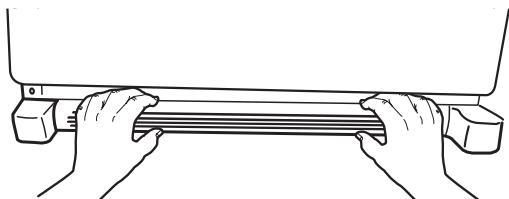


Réinstallation de la façade du tiroir

Ajustement des portes

Selon votre modèle, le réfrigérateur peut comporter quatre roulettes réglables (**Style 1**) ou une vis de réglage de l'aplomb (**Style 2**) situées à la base du réfrigérateur. Si votre réfrigérateur semble instable ou si vous désirez que les portes se ferment plus facilement, suivre les instructions ci-dessous.

1. Retirer la grille de la base. Tenir la grille fermement et tirer vers soi.



2. Soulever ou abaisser la caisse.

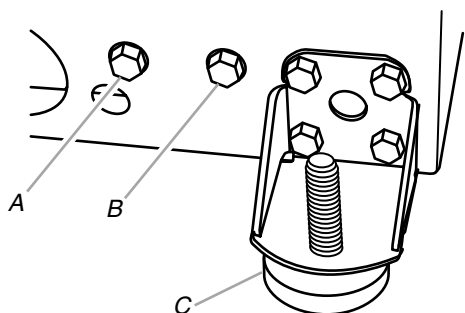
Style 1–Nivellement avant et arrière

À l'aide d'un tournevis à tête hexagonale de $\frac{3}{8}$ ", tourner les vis de réglage des roulettes situées de chaque côté pour soulever et abaisser chaque côté du réfrigérateur.

REMARQUE : Si une autre personne pousse le haut du réfrigérateur, le poids devient moins lourd sur les vis de réglage et les roulettes, ce qui rend plus facile l'ajustement des vis. Il peut être nécessaire de tourner les vis de réglage des roulettes de plusieurs tours pour ajuster l'inclinaison du réfrigérateur.

- Pour soulever, tourner la vis de réglage des roulettes vers la droite.
- Pour abaisser, tourner la vis de réglage des roulettes vers la gauche.

Faire tourner le pied de stabilisation dans le sens horaire pour le placer fermement en contact avec le sol, pour que le réfrigérateur ne puisse rouler vers l'avant lors de l'ouverture du tiroir du congélateur.



A. Vis de réglage des roulettes arrière
B. Vis de réglage des roulettes avant
C. Pied de stabilisation

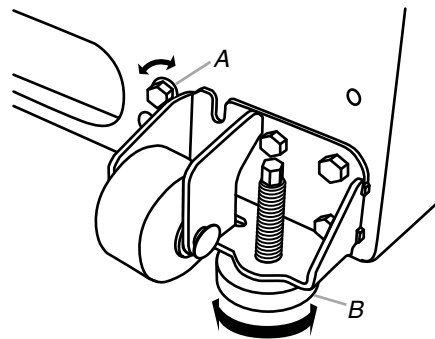
REMARQUE : Votre réfrigérateur peut être muni de vis de réglage arrière de chaque côté. Pour relever ou abaisser l'avant ou l'arrière du réfrigérateur, tourner les vis de réglage arrière à l'aide d'un tournevis à tête hexagonale de $\frac{3}{8}$ ".

Style 2–Vis de réglage de l'aplomb

À l'aide d'un tournevis à tête hexagonale de $\frac{1}{4}$ ", tourner la vis de réglage de l'aplomb pour soulever ou abaisser chaque côté du réfrigérateur.

REMARQUE : Si une autre personne pousse le haut du réfrigérateur, le poids devient moins lourd sur la vis de réglage de l'aplomb, ce qui rend plus facile l'ajustement des vis. Il peut être nécessaire de tourner la vis de réglage de l'aplomb de plusieurs tours pour ajuster l'inclinaison du réfrigérateur.

- Pour soulever, tourner la vis de réglage de l'aplomb dans le sens horaire.
- Pour abaisser, tourner la vis de réglage de l'aplomb dans le sens antihoraire.



A. Vis de réglage des roulettes arrière
B. Vis de réglage de l'aplomb

REMARQUE : Votre réfrigérateur peut être muni de vis de réglage arrière de chaque côté. Pour relever ou abaisser l'avant ou l'arrière du réfrigérateur, tourner les vis de réglage arrière à l'aide d'un tournevis à tête hexagonale de $\frac{3}{8}$ ".

3. Ouvrir de nouveau la porte et s'assurer qu'elle ferme aussi facilement que vous le souhaitez. Sinon, incliner légèrement le réfrigérateur vers l'arrière en tournant les deux vis de réglage de l'aplomb dans le sens horaire. Il faudra peut-être plusieurs tours. Tourner les deux vis de façon égale.
4. Réinstaller la grille de la base.

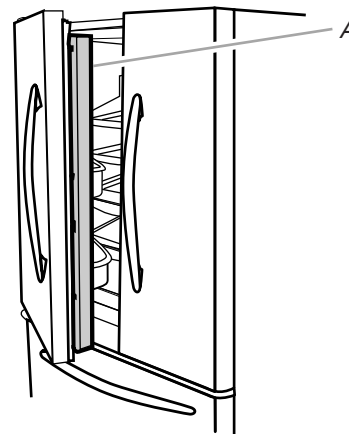
UTILISATION DU RÉFRIGÉRATEUR

Ouverture et fermeture des portes

Il y a deux portes pour le compartiment de réfrigération. Les portes peuvent être ouvertes et fermées séparément ou ensemble.

Il y a sur la porte de gauche du réfrigérateur un joint à charnière verticale.

- Lors de l'ouverture de la porte du côté gauche, le joint à charnière se replie automatiquement pour qu'il n'y ait pas d'interférence.
- Lorsque les deux portes sont fermées, le joint à charnière assure automatiquement l'étanchéité entre les deux portes.



A. Joint à charnière

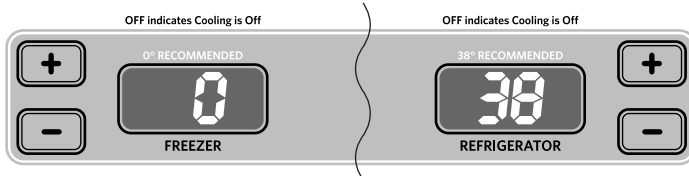
Utilisation des commandes

Le centre de commande est situé dans la partie supérieure avant du compartiment de réfrigération.

Commandes de température

Pour votre commodité, les commandes de température sont pré-réglées à l'usine. Lors de l'installation initiale du réfrigérateur, s'assurer que les commandes sont encore pré-réglées aux points de réglage recommandés tel qu'illustré.

Réglages recommandés



IMPORTANT :

- Les réglages recommandés devraient convenir à un usage domestique normal. Les commandes sont réglées correctement lorsque le lait ou le jus est aussi froid que vous l'aimez et lorsque la crème glacée est ferme.
- Lorsque l'appareil est sous tension, l'affichage de la température indique la valeur de réglage de température du compartiment.
- Attendre 24 heures que le réfrigérateur se refroidisse avant de placer des aliments dans le réfrigérateur. Si vous ajoutez des aliments avant que le réfrigérateur ait complètement refroidi, vos aliments peuvent être abîmés.

REMARQUE : Tourner les commandes du réfrigérateur et du congélateur à un réglage plus élevé (plus froid) que le réglage recommandé ne refroidira pas les compartiments plus vite.

- Si la température est trop élevée ou trop basse dans les compartiments de réfrigération ou de congélation, vérifier d'abord les ouvertures d'aération pour s'assurer qu'elles ne sont pas bloquées avant d'ajuster les commandes.

Désactivation/activation du réfrigérateur :

- Appuyer à plusieurs reprises sur la touche (+) du congélateur jusqu'à l'apparition de "OFF" sur l'affichage du congélateur. Le réfrigérateur s'arrêtera au bout de quelques secondes. Aucun compartiment ne refroidira.
- Appuyer sur la touche (-) du réfrigérateur ou du congélateur pour mettre le réfrigérateur en marche.

Ajustement des réglages de commande

La commande du RÉFRIGÉRATEUR règle la température du compartiment de réfrigération. La commande du CONGÉLATEUR règle la température du compartiment de congélation.

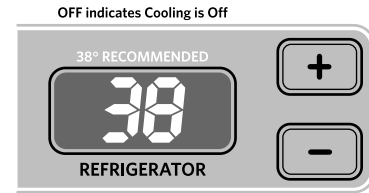
S'il est nécessaire d'ajuster la température dans le compartiment de réfrigération ou de congélation, utiliser les réglages indiqués dans le tableau ci-dessous comme guide.

Pour ajuster les réglages de température :

Lorsqu'on appuie une première fois sur la touche (+) ou (-), le point de réglage actuel de la température s'affiche.

- Appuyer sur les touches (+) ou (-) jusqu'à l'affichage du point de réglage désiré de la température.

REMARQUE : Ne pas ajuster les commandes de température de plus d'un cran à la fois, sauf lors de la mise en marche initiale du réfrigérateur. Attendre 24 heures entre les ajustements pour que la température puisse se stabiliser.



CONDITION/RAISON :

AJUSTEMENT :

RÉFRIGÉRATEUR trop tiède

Tourner le réglage du RÉFRIGÉRATEUR 1° plus bas

CONGÉLATEUR trop tiède/
pas assez de glaçons

Tourner le réglage du CONGÉLATEUR 1° plus bas

RÉFRIGÉRATEUR trop froid

Tourner le réglage du RÉFRIGÉRATEUR 1° plus haut

CONGÉLATEUR trop froid

Tourner le réglage du CONGÉLATEUR 1° plus haut

Autres caractéristiques du centre de commande

Max Ice (production de glaçons maximum)

La caractéristique Max Ice augmente la production de glaçons, ce qui est utile en période d'utilisation intense de glaçons.

- Appuyer sur la touche Max Ice pour régler le congélateur au réglage de température le plus bas. Appuyer à nouveau sur la touche Max Ice pour revenir au point de réglage normal du congélateur.

REMARQUE : La caractéristique Max Ice s'éteindra automatiquement au bout de 24 heures environ.



Humidity Control (contrôle de l'humidité)

La caractéristique Humidity Control déclenche la mise en marche d'un élément chauffant, qui aide à réduire l'humidité sur le joint de charnière de la porte. À utiliser dans des environnements humides ou en cas d'humidité sur le joint de charnière de la porte. Le réfrigérateur consomme plus d'énergie lors de l'activation de cette caractéristique.

- Appuyer sur la touche Humidity Control lorsque l'environnement est chaud et plus humide, ou si vous notez de l'humidité sur le joint de charnière de la porte. Le témoin lumineux s'allumera lors de l'activation de cette caractéristique.
- Appuyer sur la touche Humidity Control pour économiser de l'énergie lorsque l'environnement est moins humide.



Temp Alarm (alarme de dépassement de température)

La caractéristique Temp Alarm (alarme de dépassement de température) fournit des renseignements sur la température en cas de panne de courant.

Panne de courant : Au cours d'une panne de courant, si les températures dans les compartiments de réfrigération et de congélation excèdent les températures de fonctionnement normales, la plus haute température atteinte sera affichée.

- Pour activer cette caractéristique, appuyer sur la touche Temp Alarm jusqu'à ce que le témoin lumineux s'allume. Pour désactiver cette caractéristique, appuyer sur Temp Alarm pendant 3 secondes jusqu'à ce que le témoin lumineux s'éteigne.

Alarme indiquant un réchauffement : Un signal d'alarme sera émis à plusieurs reprises si les températures dans les compartiments de réfrigération ou de congélation excèdent les températures de fonctionnement normales pendant une heure ou plus.

L'affichage indique alternativement les températures actuelles et les températures les plus élevées atteintes dans les compartiments.

- Appuyer une fois sur la touche Temp Alarm pour arrêter le signal sonore et l'alternance d'affichage des températures. Le témoin Temp Alarm continue de clignoter jusqu'à ce que le réfrigérateur revienne à la température réglée.



Door Alarm (alarme de la porte)

La caractéristique Door Alarm fait retentir une sonnerie toutes les quelques secondes lorsque la porte du réfrigérateur a été laissée ouverte continuellement pendant 5 minutes. La sonnerie retentira jusqu'à ce que la porte soit fermée ou que la caractéristique Door Alarm soit désactivée.

- Appuyer sur la touche Door Alarm pour activer ou désactiver cette caractéristique. Le témoin lumineux est allumé lorsque la caractéristique Door Alarm est activée.



Max Cool (refroidissement maximum)

La caractéristique Max Cool est utile lors de périodes d'utilisation intense du réfrigérateur, de l'addition d'un grand nombre d'aliments ou de l'élévation temporaire de la température de la pièce.

- Appuyer sur la touche Max Cool pour régler le congélateur et le réfrigérateur aux réglages de température les plus bas. Appuyer à nouveau sur la touche Max Cool pour revenir au point de réglage normal du réfrigérateur.

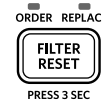
REMARQUE : La caractéristique Max Cool s'éteindra automatiquement au bout de 12 heures environ.



Filter Reset (réinitialisation du filtre)

La commande Filter Reset permet de réactiver la fonction de suivi du statut du filtre à eau à chaque fois que vous remplacez le filtre. Voir "Système de filtration de l'eau".

- Appuyer sur la touche Filter Reset pendant 3 secondes, jusqu'à ce que le témoin lumineux Order (commander) ou Replace (remplacer) s'éteigne.



Préférences de l'utilisateur

Le centre de commande vous permet de régler les préférences de l'utilisateur si désiré.

Affichage de la température (F_C)

Cette préférence vous permet de modifier l'affichage de la température.

F - Température en degrés Fahrenheit

C - Température en degrés Celsius

Alarme (AL)

Cette préférence vous permet de désactiver le son de toutes les alarmes.

ON (marche) – Le son de l'alarme sera audible.

OFF (arrêt) – Le son de l'alarme ne sera pas audible.

Mode Sabbath (SAB)

IMPORTANT : Cette préférence ne désactive pas les lampes internes.

ON (marche) – Toutes les lampes du panneau de commande désactivées.

OFF (arrêt) – Toutes les lampes du panneau de commande activées.

REMARQUE : Appuyer sur n'importe quelle touche du panneau de commande pour réactiver les lampes du panneau de commande.

Pour accéder au menu des préférences de l'utilisateur :

1. Appuyer sur la touche Door Alarm (alarme de la porte) pendant 3 secondes. Le nom de la préférence apparaît sur l'affichage du congélateur et le statut de la préférence (F/C) ou (ON/OFF) apparaît sur l'affichage du réfrigérateur.
2. Utiliser les touches (+) ou (-) du congélateur pour faire défiler les noms de préférence. Lorsque le nom de la préférence désirée s'affiche, appuyer sur les touches (+) ou (-) du réfrigérateur pour modifier le statut de la préférence.
3. Enregistrer les préférences en appuyant sur la touche Door Alarm pendant 3 secondes ou en fermant la porte du compartiment de réfrigération.

Réglage de l'humidité dans le bac à légumes

On peut contrôler le degré d'humidité dans le bac à légumes étanche. Selon le modèle, on peut appliquer les réglages suivants : FRUIT (fruits) et VEGETABLES (légumes) ou LOW (faible) et HIGH (élevé).

FRUIT (fruits) / LOW (bas) [ouvert] pour une meilleure conservation des fruits et légumes à peaux.

VEGETABLES (légumes) / HIGH (élevé) [fermé] pour une meilleure conservation des légumes à feuilles frais.

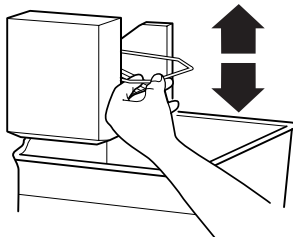
Machine à glaçons (sur certains modèles)

Mise en marche/arrêt de la machine à glaçons

Pour mettre la machine à glaçons en MARCHÉ, il suffit d'abaisser le bras de commande en broche.

Pour ARRÊTER manuellement la machine à glaçons, soulever le bras de commande en broche à la position OFF (élevée) et attendre le clic.

REMARQUE : Votre machine à glaçons a un arrêt automatique. Au fur et à mesure de la fabrication de la glace, les glaçons remplissent le bac d'entreposage de glaçons. Les glaçons soulèvent le bras de commande en broche à la position OFF (élevée). Ne pas forcer le commutateur du bras en broche vers le haut ou vers le bas.



Taux de production des glaçons

- La machine à glaçons devrait produire une quantité de glaçons complète environ toutes les 3 heures.
- Pour augmenter la production de glaçons, diminuer la température du congélateur et du réfrigérateur. Voir "Utilisation des commandes". Attendre 24 heures entre les ajustements.

À noter

- Accorder 24 heures pour produire la première quantité de glaçons. Jeter les trois premières quantités de glaçons produites.
- La qualité de vos glaçons dépend de la qualité de l'eau fournie à votre machine à glaçons. Éviter de brancher la machine à glaçons à un approvisionnement d'eau adoucie. Les produits chimiques adoucisseurs d'eau (tels que le sel) peuvent endommager des pièces de la machine à glaçons et causer une piètre qualité des glaçons. Si une alimentation d'eau adoucie ne peut pas être évitée, s'assurer que l'adoucisseur d'eau fonctionne bien et qu'il est bien entretenu.
- Ne pas garder quoi que ce soit sur le dessus de la machine à glaçons ou dans le bac à glaçons.

Distributeur d'eau (sur certains modèles)

IMPORTANT :

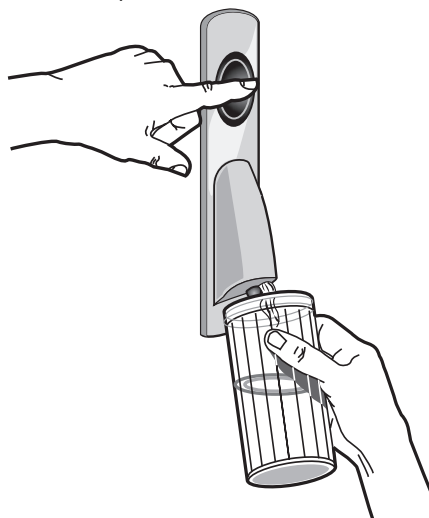
- Après avoir connecté le réfrigérateur à une source d'alimentation en eau, vidanger le système d'eau. Appuyer sur le bouton du distributeur pendant 5 secondes, puis le relâcher pendant 5 secondes. Répéter l'opération jusqu'à ce que l'eau commence à couler. Une fois que l'eau commence à couler, répéter l'opération (appui sur le bouton du distributeur pendant 5 secondes puis relâchement pendant 5 secondes) pendant 2 minutes supplémentaires. Ceci permettra d'évacuer l'air du filtre et du système de distribution d'eau. Une vidange supplémentaire peut être nécessaire dans certains domiciles. Pendant l'évacuation de l'air du système, de l'eau peut gicler du distributeur.

REMARQUE : Après cinq minutes de distribution d'eau continue, le distributeur cessera la distribution afin d'éviter une inondation. Pour poursuivre la distribution, appuyer de nouveau sur le bouton du distributeur.

- Accorder 24 heures pour que le réfrigérateur se refroidisse et rafraîchisse l'eau. Puiser une quantité suffisante d'eau chaque semaine pour maintenir un approvisionnement frais.

Distribution d'eau

1. Tenir un récipient sous le distributeur tout en appuyant sur le bouton.
2. Relâcher le bouton pour arrêter la distribution.



Système de filtration de l'eau

Le filtre à eau se situe dans le coin supérieur droit du compartiment de réfrigération.

Ne pas utiliser pour le filtrage d'une eau microbiologiquement polluée ou de qualité inconnue en l'absence d'un dispositif de désinfection adéquat avant ou après le système. Les systèmes certifiés pour la réduction de kyste peuvent être utilisés pour l'eau désinfectée qui peut contenir des kystes filtrables.

Témoin lumineux de l'état du filtre à eau

Le témoin lumineux de l'état du filtre à eau vous aidera à savoir quand changer le filtre à eau. Lorsque le témoin Order (commander) est allumé, il est pratiquement temps de changer le filtre à eau. Lorsque le témoin Replace (remplacer) est allumé, un nouveau filtre à eau doit être installé.

Après avoir remplacé le filtre à eau, appuyer pendant trois secondes sur la touche FILTER RESET (réinitialisation du filtre). Les témoins lumineux Order (commander) ou Replace (remplacer) clignotent et s'éteignent ensuite lorsque le système est réinitialisé. Voir "Utilisation des commandes".

Remplacement du filtre à eau

Pour acheter un filtre à eau de rechange, modèle 67003523, pièce n° 4396395, contactez votre revendeur ou composez le **1-800-442-9991** (É.-U.) ou le **1-800-807-6777** (Canada).

IMPORTANT : L'air emprisonné dans le système d'eau peut provoquer une expulsion de l'eau et du filtre. Toujours faire couler l'eau pendant 2 minutes avant de retirer le filtre ou le dispositif de décharge bleu.

1. Tourner le filtre dans le sens antihoraire pour le retirer.
2. Retirer l'étiquette de scellement du filtre de rechange et insérer le filtre dans le compartiment du filtre.
3. Tourner le filtre dans le sens horaire jusqu'à la butée. Emboîter le couvercle du filtre pour fermer.

REMARQUE : Le distributeur peut être utilisé sans installer de filtre à eau. L'eau ne sera pas filtrée. Si cette option est choisie, remplacer le filtre par un dispositif de décharge bleu.

ENTRETIEN DU RÉFRIGÉRATEUR

Nettoyage

AVERTISSEMENT



Risque d'explosion

Utiliser un produit de nettoyage ininflammable.

Le non-respect de cette instruction peut causer un décès, une explosion ou un incendie.

Les sections de réfrigération et de congélation se dégivrent automatiquement. Toutefois, nettoyer les deux sections environ une fois par mois pour éviter une accumulation d'odeurs. Essuyer les renversements immédiatement.

IMPORTANT : Comme l'air circule entre les deux sections, toutes les odeurs formées dans une section seront transférées à l'autre. Vous devez nettoyer à fond les deux sections pour éliminer les odeurs. Pour éviter le transfert d'odeurs et l'assèchement des aliments, envelopper ou recouvrir hermétiquement les aliments.

Nettoyage de votre réfrigérateur :

REMARQUE : Ne pas utiliser des nettoyeurs abrasifs tels que les nettoyeurs à vitre en atomiseurs, nettoyeurs à récurer, liquides inflammables, cires nettoyantes, détergents concentrés, eau de Javel ou nettoyeurs contenant du pétrole sur les pièces en plastique, les garnitures intérieures et de portes ou les joints de portes. Ne pas utiliser d'essuie-tout, tampons à récurer ou autres outils de nettoyage abrasifs.

1. Débrancher le réfrigérateur ou déconnecter la source de courant électrique.
2. Laver à la main, rincer et sécher les pièces amovibles et les surfaces internes à fond. Utiliser une éponge propre ou un linge doux et un détergent doux dans de l'eau tiède.
3. Laver les surfaces extérieures en acier inoxydable ou en métal peint avec une éponge propre ou un linge doux et un détergent doux dans de l'eau tiède.
 - Pour que votre réfrigérateur en acier inoxydable conserve son aspect neuf et pour enlever les petites égratignures ou marques, il est suggéré d'utiliser le nettoyeur et poli pour acier inoxydable n° 4396920 approuvé par le fabricant. Pour commander le produit de nettoyage, composer le **1-800-442-9991** (É.-U.) ou le **1-800-807-6777** (Canada).

IMPORTANT : Ce nettoyeur doit être utilisé sur les pièces en acier inoxydable uniquement!

Veiller à ce que le nettoyeur et poli pour acier inoxydable n'entre pas en contact avec les pièces de plastique telles que garnitures, couvercles de distributeurs ou joints de porte. En cas de contact non intentionnel, nettoyer la pièce de plastique avec une éponge et un détergent doux dans de l'eau tiède. Sécher parfaitement avec un linge doux.

- Le condenseur n'a pas besoin d'être nettoyé souvent dans des conditions de fonctionnement normales. Si l'environnement est particulièrement gras, poussiéreux, ou s'il y a des animaux domestiques dans la maison, le condenseur devrait être nettoyé tous les deux ou trois mois pour assurer une efficacité maximum.

Si vous avez besoin de nettoyer le condenseur :

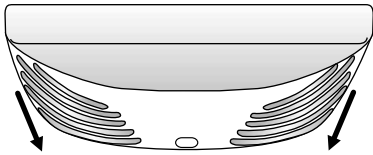
- Retirer la grille de la base.
 - Utiliser un aspirateur à brosse douce pour nettoyer la grille, les endroits ouverts derrière la grille et la surface à l'avant du condenseur.
 - Replacer la grille de la base lorsqu'on a terminé.
- Brancher le réfrigérateur ou reconnecter la source de courant électrique.

Remplacement de l'ampoule d'éclairage

REMARQUE : Toutes les lampes pour appareils ménagers ne sont pas compatibles avec ce réfrigérateur. Veiller à remplacer la lampe par une lampe de même taille/forme/puissance (pas plus de 40 W).

Remplacement de l'ampoule du compartiment de réfrigération

- Débrancher le réfrigérateur ou déconnecter la source de courant électrique.
- Faire glisser le protège-ampoule vers l'arrière du compartiment pour le libérer de l'ensemble d'éclairage.



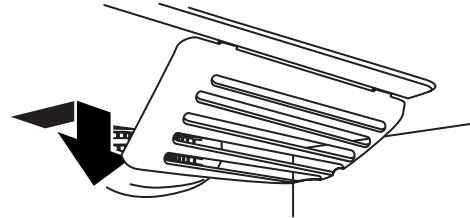
- Remplacer la ou les ampoule(s) grillée(s) par une ampoule électrique pour appareil ménager de pas plus de 40 watts.
 - Réinstaller le protège-ampoule en insérant les onglets du protège-ampoule dans les trous appropriés de chaque côté de l'ensemble d'éclairage. Faire glisser le couvercle vers l'avant de l'unité jusqu'à ce qu'il se verrouille en place.
- REMARQUE :** Pour éviter d'endommager le protège-ampoule de la lampe, ne pas forcer au-delà du point de verrouillage.
- Brancher le réfrigérateur ou reconnecter la source de courant électrique.

Remplacement de l'ampoule du compartiment de congélation

- Débrancher le réfrigérateur ou déconnecter la source de courant électrique.

REMARQUE : On peut avoir besoin d'enlever la tablette ou le panier supérieur(e) du compartiment de congélation pour accéder à l'ensemble d'éclairage.

- Le protège-ampoule s'ouvre par l'arrière. Appuyer fermement sur les encoches à l'arrière du protège-ampoule et le tirer vers le bas.



- Enlever le protège-ampoule et remplacer l'ampoule grillée par une ampoule pour appareil ménager de pas plus de 40 watts.
- Insérer les onglets avant du protège-ampoule dans le revêtement et enclencher la partie arrière sur l'ensemble d'éclairage.
- Brancher le réfrigérateur ou reconnecter la source de courant électrique.

DÉPANNAGE

Essayer d'abord les solutions suggérées ici ou visiter notre site Internet et la FAQ (foire aux questions) pour éviter le coût d'un appel de service.

Aux É.-U., www.kitchenaid.com Au Canada, www.kitchenaid.ca

Fonctionnement du réfrigérateur

Le réfrigérateur ne fonctionne pas

AVERTISSEMENT



Risque de choc électrique

Brancher sur une prise à 3 alvéoles reliée à la terre.

Ne pas enlever la broche de liaison à la terre.

Ne pas utiliser un adaptateur.

Ne pas utiliser un câble de rallonge.

Le non-respect de ces instructions peut causer un décès, un incendie ou un choc électrique.

- **Le cordon d'alimentation électrique est-il débranché?** Brancher sur une prise à 3 alvéoles reliée à la terre.
- **La prise électrique fonctionne-t-elle?** Brancher une lampe pour voir si la prise fonctionne.
- **Un fusible est-il grillé ou un disjoncteur s'est-il déclenché?** Remplacer le fusible ou réarmer le disjoncteur. Si le problème persiste, appeler un électricien.
- **Les commandes sont-elles sur ON (marche)?** S'assurer que les commandes du réfrigérateur sont sur ON (marche). Voir "Utilisation des commandes".
- **S'agit-il d'une nouvelle installation?** Accorder 24 heures après l'installation pour que le réfrigérateur se refroidisse complètement.

REMARQUE : Mettre les commandes de la température sur la position la plus froide ne refroidira aucun des compartiments plus rapidement.

Le moteur semble trop tourner

Il se peut que votre nouveau réfrigérateur fonctionne plus longtemps que l'ancien grâce à son compresseur à haute efficacité et ses ventilateurs. L'appareil peut fonctionner plus longtemps encore si la température de la pièce est chaude, si une importante quantité de nourriture y est ajoutée, si les portes sont fréquemment ouvertes ou si elles ont été laissées ouvertes.

Le réfrigérateur semble bruyant

Le bruit des réfrigérateurs a été réduit au cours des années. Du fait de cette réduction, il est possible d'entendre des bruits intermittents venant de votre nouveau réfrigérateur qui n'avaient pas été décelés avec votre ancien modèle. Voici une liste des sons normaux accompagnés d'explications.

- **Bourdonnement** - entendu lorsque le robinet d'arrivée d'eau s'ouvre pour remplir la machine à glaçons
- **Pulsation** - les ventilateurs/le compresseur se règlent afin d'optimiser la performance
- **Sifflement/cliquetis** - écoulement de liquide réfrigérant, mouvement des conduites d'eau ou d'objets posés sur le dessus du réfrigérateur
- **Grésillement/gargouillement** - de l'eau tombe sur l'élément de chauffage durant le programme de dégivrage
- **Bruit d'éclatement** - contraction/expansion des parois internes, particulièrement lors du refroidissement initial
- **Bruit d'écoulement d'eau** - peut être entendu lorsque la glace fond lors du programme de dégivrage et que l'eau s'écoule dans le plateau de dégivrage
- **Grincement/craquement** - se produit lorsque la glace est éjectée du moule à glaçons.

Les portes ne ferment pas complètement

- **La porte est-elle bloquée en position ouverte?** Déplacer les emballages d'aliments pour libérer la porte.
- **Un compartiment ou une tablette bloquent-ils le passage?** Replacer le compartiment ou la tablette en position correcte.

Les portes sont difficiles à ouvrir

AVERTISSEMENT



Risque d'explosion

Utiliser un produit de nettoyage ininflammable.

Le non-respect de cette instruction peut causer un décès, une explosion ou un incendie.

- **Les joints d'étanchéité sont-ils sales ou collants?** Nettoyer les joints et les surfaces de contact au savon doux et à l'eau tiède. Rincer et sécher avec un linge doux.

Température et humidité

La température est trop élevée

- **S'agit-il d'une nouvelle installation?** Accorder 24 heures après l'installation pour que le réfrigérateur se refroidisse complètement.
- **La/Les porte(s) est/sont-elle(s) fréquemment ouverte(s) ou laissée(s) ouverte(s)?** Ceci permet à l'air chaud de pénétrer dans le réfrigérateur. Minimiser les ouvertures de porte et garder les portes complètement fermées.
- **Une importante quantité d'aliments a-t-elle été ajoutée?** Accorder quelques heures pour que le réfrigérateur revienne à sa température normale.
- **Les réglages sont-ils corrects pour les conditions existantes?** Ajuster les commandes un cran plus froid. Vérifier la température au bout de 24 heures. Voir "Utilisation des commandes".

Il y a une accumulation d'humidité à l'intérieur

REMARQUE : Une certaine accumulation d'humidité est normale.

- **La pièce est-elle humide?** Ceci contribue à l'accumulation de l'humidité.
- **La/Les porte(s) est/sont-elle(s) fréquemment ouverte(s) ou laissée(s) ouverte(s)?** Ceci permet à l'air humide de pénétrer dans le réfrigérateur. Minimiser les ouvertures de porte et garder les portes complètement fermées.

Glaçons et eau

La machine à glaçons ne produit pas ou pas suffisamment de glaçons

- **Le réfrigérateur est-il connecté à l'alimentation en eau et le robinet d'arrêt d'eau est-il ouvert?** Brancher le réfrigérateur à l'alimentation en eau et ouvrir le robinet d'arrêt d'eau complètement.
- **La canalisation de la source d'eau du domicile comporte-t-elle une déformation?** Une déformation dans la canalisation peut réduire l'écoulement d'eau. Redresser la canalisation d'eau.
- **La machine à glaçons est-elle allumée?** S'assurer que le bras de commande en broche ou l'interrupteur (selon le modèle) est en position ON (marche).
- **S'agit-il d'une nouvelle installation?** Attendre 24 heures après l'installation pour le commencement de la production de glaçons. Attendre 72 heures pour la production complète de glaçons.
- **La porte du congélateur est-elle complètement fermée?** Bien fermer la porte du compartiment de congélation. Si la porte du compartiment de congélation ne ferme pas complètement, voir "Les portes ne ferment pas complètement".
- **Une grande quantité de glaçons vient-elle d'être enlevée?** Attendre 24 heures pour que la machine à glaçons produise plus de glaçons.
- **Un glaçon est-il coincé dans le bras éjecteur?** Enlever le glaçon du bras éjecteur avec un ustensile en plastique.
- **Un filtre à eau est-il installé sur le réfrigérateur?** Enlever le filtre et faire fonctionner la machine à glaçons. Si le volume de glace augmente, le filtre est probablement obstrué ou mal installé. Remplacer le filtre ou le réinstaller correctement.
- **Un système de filtration de l'eau à osmose inverse est-il connecté à votre canalisation d'eau froide?** Ceci peut diminuer la pression de l'eau. Voir "Spécifications de l'alimentation en eau".

Les glaçons sont creux ou petits

REMARQUE : Cela indique une faible pression de l'eau.

- **La valve de la canalisation d'eau est-elle complètement ouverte?** Ouvrir la valve d'eau complètement.
- **La canalisation de la source d'eau du domicile comporte-t-elle une déformation?** Une déformation dans la canalisation peut réduire l'écoulement d'eau. Redresser la canalisation d'eau.
- **Un filtre à eau est-il installé sur le réfrigérateur?** Enlever le filtre et faire fonctionner la machine à glaçons. Si la qualité des glaçons augmente, le filtre est probablement obstrué ou mal installé. Remplacer le filtre ou le réinstaller correctement.
- **Un système de filtration de l'eau à osmose inverse est-il connecté à votre canalisation d'eau froide?** Ceci peut diminuer la pression de l'eau. Voir "Spécifications de l'alimentation en eau".
- **Reste-t-il des questions concernant la pression de l'eau?** Appeler un plombier agréé et qualifié.

Mauvais goût, odeur ou couleur grise des glaçons

- **Les raccords de plomberie sont-ils neufs?** Des raccords de plomberie neufs peuvent causer une décoloration et un mauvais goût des glaçons.
- **Les glaçons ont-ils été gardés trop longtemps?** Jeter les glaçons. Laver le compartiment à glaçons. Accorder 24 heures pour la fabrication de nouveaux glaçons.
- **Y a-t-il un transfert d'odeurs de nourriture?** Utiliser des emballages étanches à l'air et à l'humidité pour conserver les aliments.
- **L'eau contient-elle des minéraux (tels que le soufre)?** L'installation d'un filtre peut être requise afin d'enlever les minéraux.
- **Un filtre à eau est-il installé sur le réfrigérateur?** Une décoloration grise ou foncée de la glace indique que le système de filtration de l'eau a besoin d'un rinçage additionnel. Rincer le système de filtration d'eau avant d'utiliser un nouveau filtre. Remplacer le filtre à eau à la date indiquée. Voir "Système de filtration de l'eau".

Le distributeur d'eau ne fonctionne pas correctement

- **Le réfrigérateur est-il connecté à l'alimentation en eau et le robinet d'arrêt d'eau est-il ouvert?** Brancher le réfrigérateur à l'alimentation en eau et ouvrir le robinet d'arrêt d'eau complètement.
- **La canalisation de la source d'eau du domicile comporte-t-elle une déformation?** Redresser la canalisation d'eau.
- **S'agit-il d'une nouvelle installation?** Rincer et remplir le système de distribution d'eau. Voir "Distributeur d'eau".
- **La pression de l'eau est-elle inférieure à 35 lb/po² (241 kPa)?** La pression de l'eau du domicile détermine l'écoulement d'eau du distributeur. Voir "Spécifications de l'alimentation en eau".
- **Un filtre à eau est-il installé sur le réfrigérateur?** Enlever le filtre et faire fonctionner le distributeur. Si l'écoulement d'eau augmente, le filtre est probablement obstrué ou mal installé. Remplacer le filtre ou le réinstaller correctement.
- **La porte du réfrigérateur est-elle bien fermée?** Bien fermer la porte. Si elle ne ferme pas complètement, voir "Les portes ne ferment pas complètement".
- **Les portes ont-elles été récemment enlevées?** S'assurer que l'assemblage câble/tuyau du distributeur d'eau a été correctement reconnecté. Voir "Portes du réfrigérateur".
- **Un système de filtration de l'eau à osmose inverse est-il connecté à votre canalisation d'eau froide?** Ceci peut diminuer la pression de l'eau. Voir "Spécifications de l'alimentation en eau".

L'eau coule du système de distribution

REMARQUE : Il est normal de constater une ou deux gouttes d'eau après la distribution d'eau.

- **Le verre n'a pas été maintenu sous le distributeur assez longtemps?** Maintenir le verre sous le distributeur 2 à 3 secondes après avoir relâché le levier du distributeur.
- **S'agit-il d'une nouvelle installation?** Rincer le système de distribution d'eau. Voir "Distributeur d'eau".
- **Le filtre à eau a-t-il été récemment changé?** Rincer le système de distribution d'eau. Voir "Distributeur d'eau".
- **Trouve-t-on de l'eau sur le sol près de la grille de la base?** S'assurer que les connexions du tuyau du distributeur d'eau sont complètement serrées. Voir "Portes du réfrigérateur".

L'eau du distributeur est tiède

REMARQUE : L'eau du distributeur est seulement réfrigérée à 50°F (10°C).

- **S'agit-il d'une nouvelle installation?** Attendre 24 heures après l'installation pour que l'alimentation d'eau refroidisse complètement.
- **Une grande quantité d'eau a-t-elle récemment été distribuée?** Attendre 24 heures pour que l'alimentation d'eau refroidisse complètement.
- **N'a-t-on pas récemment distribué de l'eau?** Le premier verre d'eau peut ne pas être froid. Jeter le premier verre d'eau.
- **Le réfrigérateur est-il branché à l'arrivée d'eau froide?** S'assurer que le réfrigérateur est branché à l'arrivée d'eau froide. Voir "Spécifications de l'alimentation en eau".

FEUILLES DE DONNÉES SUR LE PRODUIT

Système de filtration d'eau intérieur Modèle 67003523-750 / Capacité : 750 gallons (2839 litres)



Système testé et certifié par NSF International en vertu de la norme NSF/ANSI 42 (réduction du goût et de l'odeur du chlore, et particules (classe I*)); et en vertu de la norme NSF/ANSI 53 (réduction de plomb, mercure, atrazine, toxaphène, kystes, turbidité, amiante, et lindane).

Ce produit a été testé selon les normes NSF/ANSI 42 et 53 pour la réduction des substances énumérées ci-dessous. La concentration des substances indiquées dans l'eau entrant dans le système a été réduite à une concentration moindre ou égale à la limite permmissible pour l'eau qui quitte le système, tel que spécifié dans les normes NSF/ANSI 42 et 53.

Réd. de substances Effets esthétiques	Critères de réduction NSF	Affluent moyen	Concentration dans l'eau à traiter	Effluent maximal	Effluent moyen	% de réd. minimale	% de réd. moyenne
Goût/odeur de chlore Particules (classe I*)	réduction de 50 % réduction de 85 %	1,88 mg/L 5 700 000 #/mL	2,0 mg/L ± 10 % Au moins 10 000 particules/mL	0,06 mg/L 69 000 #/mL**	0,05 mg/L 30,583 #/mL	96,84 98,94	>97,26 99,52
Réduction de contaminant	Critères de réduction NSF	Affluent moyen	Concentration dans l'eau à traiter	Effluent maximal	Effluent moyen	% de réd. minimale	% de réd. moyenne
Plomb : à pH 6,5 Plomb : à pH 8,5	0,010 mg/L 0,010 mg/L	0,153 mg/L [†] 0,150 mg/L [†]	0,15 mg/L ± 10 % 0,15 mg/L ± 10 %	< 0,001mg/L < 0,001mg/L	< 0,001mg/L < 0,001mg/L	>99,29% >99,29%	>99,35 % >99,33 %
Mercure : à pH 6,5 Mercure : à pH 8,5	0,002 mg/L 0,002 mg/L	0,006 mg/L 0,006 mg/L	0,006 mg/L ± 10 % 0,006 mg/L ± 10 %	0,0005 mg/L 0,0015 mg/L	0,0003 mg/L 0,0008 mg/L	90,91 75,93	95,70 86,22
Toxaphène	0,003 mg/L	0,015 mg/L	0,015 ± 10%	< 0,001mg/L	< 0,001mg/L	91,67%	92,97 %
Atrazine	0,003 mg/L	0,009mg/L	0,009 mg/L ± 10 %	< 0,002 mg/L	< 0,002 mg/L	75,31 %	76,99 %
Amiante	99 %	155 MF/L	10 ⁷ à 10 ⁸ fibres/L ^{††}	< 1 MF/L	< 1 MF/L	>99,99 %	>99,99 %
Kystes [‡] Turbidité	>99,95 % 0,5 NTU	166 500 #/L 10,7 NTU	50 000/L min. 11 ± 1 NTU	< 1 #/L [‡] 0,49 NTU	< 1 #/L [‡] 0,31 NTU	>99,99 95,2	>99,99 97,09
Lindane	0,0002 mg/L	0,002 mg/L	0,002 ± 10 %	< 0,0001mg/L	0,000 mg/L	96,50 %	98,72 %

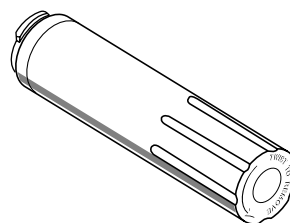
Paramètres de test : pH = 7,5 ± 0,5 à moins d'indications contraires. Débit = 0,78 gpm (1,9 Lpm). Pression = 60 lb/po² (413,7 kPa).
Température = 68°F à 71,6°F (20°C à 22°C).

- Il est essentiel que les exigences de fonctionnement, d'entretien et de remplacement de filtre soient respectées pour que ce produit donne le rendement annoncé.
- Le système de contrôle du filtre mesure la quantité d'eau qui passe par le filtre et vous alerte lorsqu'il faut remplacer le filtre. Lorsque 90 % de la vie estimée du filtre sont utilisés, le témoin jaune (Order/commander) s'allume. Lorsque 100 % de la vie estimée du filtre sont utilisés, le témoin rouge (Replace/remplacer) s'allume et il est recommandé de remplacer le filtre. Pour les modèles sans témoin lumineux de l'état du filtre, remplacer le filtre tous les 6 mois. Utiliser une cartouche de remplacement 67003523, commander la pièce n° 4396395. Prix suggéré au détail en 2007 de 49,99 \$US/65,95 \$CAN. Les prix sont sujets à des changements sans préavis.
- Le produit ne doit être utilisé que pour l'eau froide.
- Ne pas utiliser pour le filtrage d'une eau microbiologiquement polluée ou de qualité inconnue en l'absence d'un dispositif de désinfection adéquat avant ou après le système. Les systèmes certifiés pour la réduction de kyste peuvent être utilisés pour l'eau désinfectée qui peut contenir des kystes filtrables.

- Veuillez vous référer à la section "Système de filtration de l'eau" pour le nom et le numéro de téléphone du fabricant.
- Veuillez vous référer à la section "Garantie" pour la garantie limitée du fabricant.

Directives d'application/Paramètres d'approvisionnement en eau

Approvisionnement en eau	Collectivité ou puits
Pression de l'eau	35 - 120 lb/po ² (241 - 827 kPa)
Température de l'eau	33° - 100°F (1° - 38°C)
Débit nominal	0,78 gpm (2,9 Lpm) à 60 lb/po ²



*Classe I - taille des particules : > 0,5 à < 1 µm

**Exigence de test : au moins 100 000 particules/mL (poussière de test fine AC).

[†]Ces contaminants ne sont pas nécessairement présents dans votre approvisionnement d'eau. Le rendement peut varier selon les conditions locales de l'eau.

^{††}Fibres de longueur supérieure à 10 µm

[‡]Cas de la filtration de kystes de *Cryptosporidium parvum*

GARANTIE DU RÉFRIGÉRATEUR KITCHENAID®

GARANTIE LIMITÉE DE UN AN

Pendant un an à compter de la date d'achat, lorsque ce gros appareil ménager est utilisé et entretenu conformément aux instructions jointes à ou fournies avec le produit, KitchenAid ou KitchenAid Canada (ci-après désignées "KitchenAid") paiera pour les pièces spécifiées par l'usine et la main-d'œuvre pour corriger les vices de matériaux ou de fabrication. Le service doit être fourni par une compagnie de service désignée par KitchenAid.

Sur les modèles avec un filtre à eau : garantie limitée de 30 jours sur le filtre à eau. Pendant 30 jours à compter de la date d'achat, lorsque ce filtre est utilisé et entretenu conformément aux instructions jointes à ou fournies avec le produit, KitchenAid paiera pour les pièces de rechange pour corriger les vices de matériaux ou de fabrication.

GARANTIE LIMITÉE DE LA DEUXIÈME À LA CINQUIÈME ANNÉE INCLUSIVEMENT SUR LA DOUBLURE DE LA CAVITÉ ET LES PIÈCES DU SYSTÈME DE RÉFRIGÉRATION SCÉLLÉ

De la deuxième à la cinquième année inclusivement à compter de la date d'achat, lorsque ce gros appareil ménager est utilisé et entretenu conformément aux instructions jointes à ou fournies avec le produit, KitchenAid paiera pour le remplacement ou la réparation de la doublure de la cavité du réfrigérateur/congélateur (frais de main-d'œuvre inclus) si la pièce se fissure à cause de vices de matériaux ou de fabrication. De même, de la deuxième à la cinquième année inclusivement à partir de la date d'achat, KitchenAid paiera pour les pièces spécifiées par l'usine et la main-d'œuvre pour corriger les vices de matériaux ou de fabrication dans le système de réfrigération scellé. Il s'agit des pièces suivantes : compresseur, évaporateur, condenseur, séchoir et conduits de connexion. Le service doit être fourni par une compagnie de service désignée par KitchenAid.

GARANTIE LIMITÉE DE LA SIXIÈME À LA DIXIÈME ANNÉE INCLUSIVEMENT SUR LES PIÈCES DU SYSTÈME DE RÉFRIGÉRATION SCÉLLÉ

De la sixième à la dixième année inclusivement à compter de la date d'achat, lorsque ce gros appareil ménager est utilisé et entretenu conformément aux instructions jointes à ou fournies avec le produit, KitchenAid paiera pour les pièces spécifiées par l'usine pour corriger les vices de matériaux ou de fabrication dans le système de réfrigération scellé. Il s'agit des pièces suivantes : compresseur, évaporateur, condenseur, séchoir et conduits de connexion.

KITCHENAID NE PRENDRA PAS EN CHARGE

1. Les visites de service pour rectifier l'installation du gros appareil ménager, montrer à l'utilisateur comment utiliser l'appareil, remplacer ou réparer des fusibles ou rectifier le câblage ou la plomberie du domicile.
 2. Les visites de service pour réparer ou remplacer les ampoules électriques de l'appareil, les filtres à air ou les filtres à eau.
 3. Les réparations lorsque le gros appareil ménager est utilisé à des fins autres que l'usage unifamilial normal.
 4. Les dommages imputables à : accident, modification, usage impropre ou abusif, incendie, inondation, actes de Dieu, installation fautive ou installation non conforme aux codes d'électricité ou de plomberie, ou l'utilisation de produits non approuvés par KitchenAid.
 5. Toute perte d'aliments due à une défaillance du réfrigérateur ou du congélateur.
 6. Le coût des pièces de rechange et de la main-d'œuvre pour les appareils utilisés hors des États-Unis ou du Canada.
 7. Le ramassage et la livraison. Ce gros appareil ménager est conçu pour être réparé à domicile.
 8. Les réparations aux pièces ou systèmes résultant d'une modification non autorisée faite à l'appareil.
 9. Les frais de voyage ou de transport pour le service d'un produit dans les régions éloignées.
 10. La dépose et la réinstallation de votre appareil si celui-ci est installé dans un endroit inaccessible ou n'est pas installé conformément aux instructions d'installation fournies.
 11. Le coût des pièces de rechange et de la main-d'œuvre lorsque l'appareil est utilisé dans un pays autre que le pays où il a été acheté.
-

CLAUSE D'EXONÉRATION DE RESPONSABILITÉ AU TITRE DES GARANTIES IMPLICITES; LIMITATION DES RECOURS

LE SEUL ET EXCLUSIF RECOURS DU CLIENT DANS LE CADRE DE LA PRÉSENTE GARANTIE LIMITÉE CONSISTE EN LA RÉPARATION PRÉVUE CI-DESSUS. LES GARANTIES IMPLICITES, Y COMPRIS LES GARANTIES APPLICABLES DE QUALITÉ MARCHANDE ET D'APTITUDE À UN USAGE PARTICULIER, SONT LIMITÉES À UN AN OU À LA PLUS COURTE PÉRIODE AUTORISÉE PAR LA LOI. KITCHENAID N'ASSUME AUCUNE RESPONSABILITÉ POUR LES DOMMAGES FORTUITS OU INDIRECTS. CERTAINES JURIDICTIONS NE PERMETTENT PAS L'EXCLUSION OU LA LIMITATION DES DOMMAGES FORTUITS OU INDIRECTS, OU LES LIMITATIONS DE LA DURÉE DES GARANTIES IMPLICITES DE QUALITÉ MARCHANDE OU D'APTITUDE À UN USAGE PARTICULIER, DE SORTE QUE CES EXCLUSIONS OU LIMITATIONS PEUVENT NE PAS S'APPLIQUER DANS VOTRE CAS. CETTE GARANTIE VOUS CONFÈRE DES DROITS JURIDIQUES SPÉCIFIQUES ET VOUS POUVEZ ÉGALEMENT JOUIR D'AUTRES DROITS QUI PEUVENT VARIER D'UNE JURIDICTION À UNE AUTRE.

Si vous résidez à l'extérieur du Canada et des 50 États des États-Unis, contactez votre marchand KitchenAid autorisé pour déterminer si une autre garantie s'applique.

1/08

Pour des informations supplémentaires sur le produit, aux É.-U., visiter www.kitchenaid.com.

Au Canada, visiter www.kitchenaid.ca.

Si vous n'avez pas accès à Internet et que vous nécessitez une assistance pendant l'utilisation du produit ou que vous souhaitez prendre un rendez-vous, vous pouvez contacter KitchenAid au numéro ci-dessous.

Ayez votre numéro de modèle à disposition. Vous pouvez trouver vos numéros de modèle et de série sur la plaque située sur la paroi interne du compartiment de réfrigération.

Pour assistance ou service aux É.-U., composez le 1-800-422-1230. Au Canada, composez le 1-800-807-6777.

Si vous avez besoin de plus d'assistance, vous pouvez écrire à KitchenAid en soumettant toute question ou problème à l'adresse suivante :

Aux États-Unis :

KitchenAid Brand Home Appliances
Customer eXperience Center
553 Benson Road
Benton Harbor, MI 49022-2692

Au Canada :

KitchenAid Brand Home Appliances
Centre d'eXpérience à la clientèle
1901 Minnesota Court
Mississauga, Ontario L5N 3A7

Dans votre correspondance, veuillez indiquer un numéro de téléphone où l'on peut vous joindre dans la journée.

Veuillez conserver le manuel de l'utilisateur et le numéro de modèle pour référence ultérieure.

W10187309A

SP PN W10187310A

© 2008. All rights reserved.
Tous droits réservés.

® Registered Trademark/TM Trademark of KitchenAid, U.S.A., KitchenAid Canada licensee in Canada
© Marque déposée/TM Marque de commerce de KitchenAid, U.S.A., Emploi sous licence par KitchenAid Canada au Canada

3/08
Printed in U.S.A.
Imprimé aux É.-U.